

## H857, H957 H857A and H957A

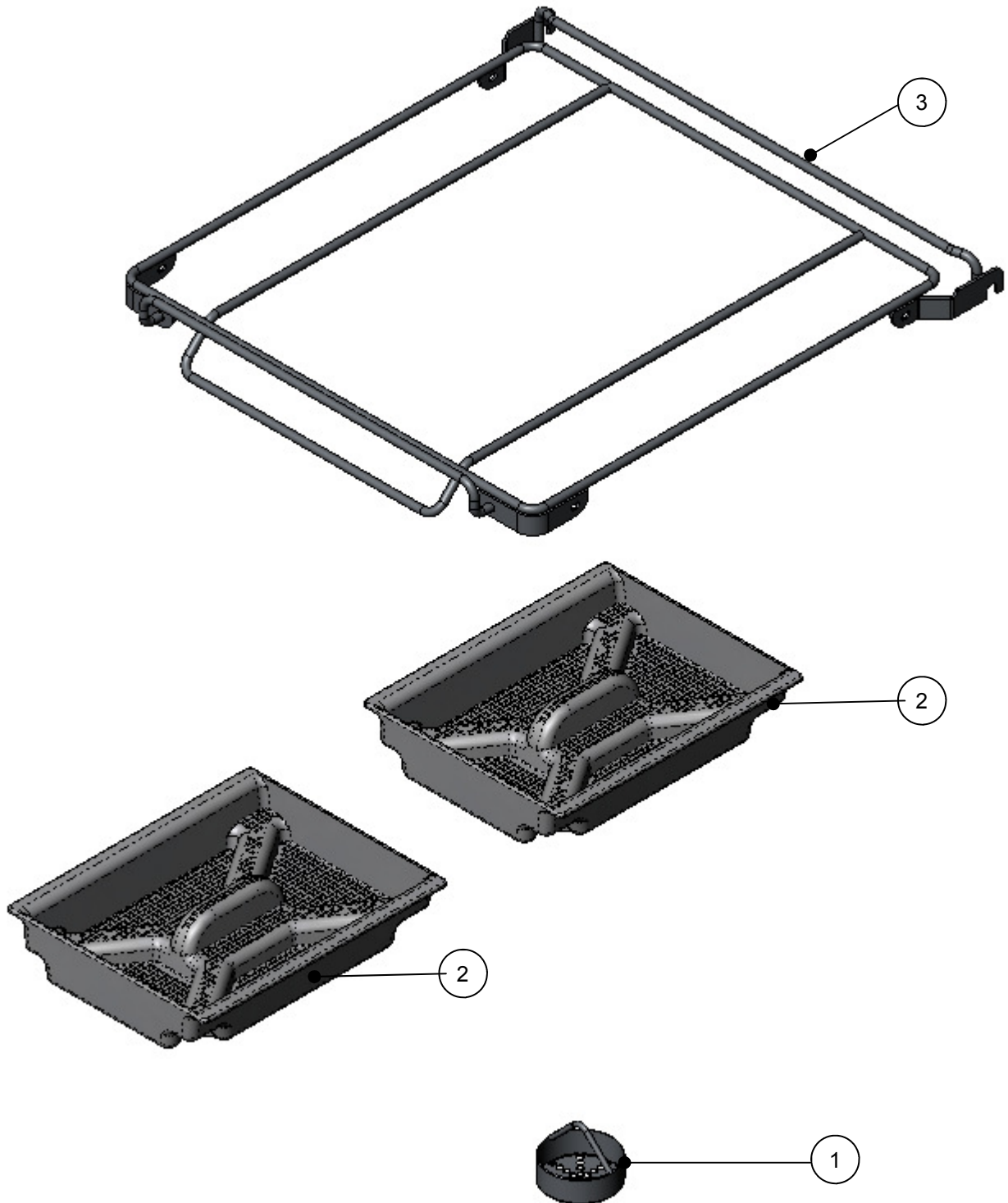


### Contents

#### Machine assembly

→ Filter & Basket supports	2 - 3
→ Hood Assembly	4 - 7
→ Wash tank	8 - 9
→ Air break assembly	10 - 11
→ Rinse & Wash system	12 - 13
→ Bottom boss assembly	14 - 15
→ Top wash rinse manifold assembly	16 - 17
→ Rinse arm assembly	18 - 19
→ Base assembly (Pressurised Tank)	20 - 21
→ Base assembly (Air Brake)	22 - 23
→ Terminal Block	24 - 25
→ Rinse boiler	26 - 29
→ Wash pump assembly - 0.74kW	30 - 31
→ Rinse pump assembly	32 - 35
→ Drain pump kit	36 - 37
→ Chemical Pumps	38 - 43
→ Gravity drain kit	44 - 45
→ Component tray	46 - 47
→ Panel kit	48 - 49
→ Packing kit	50



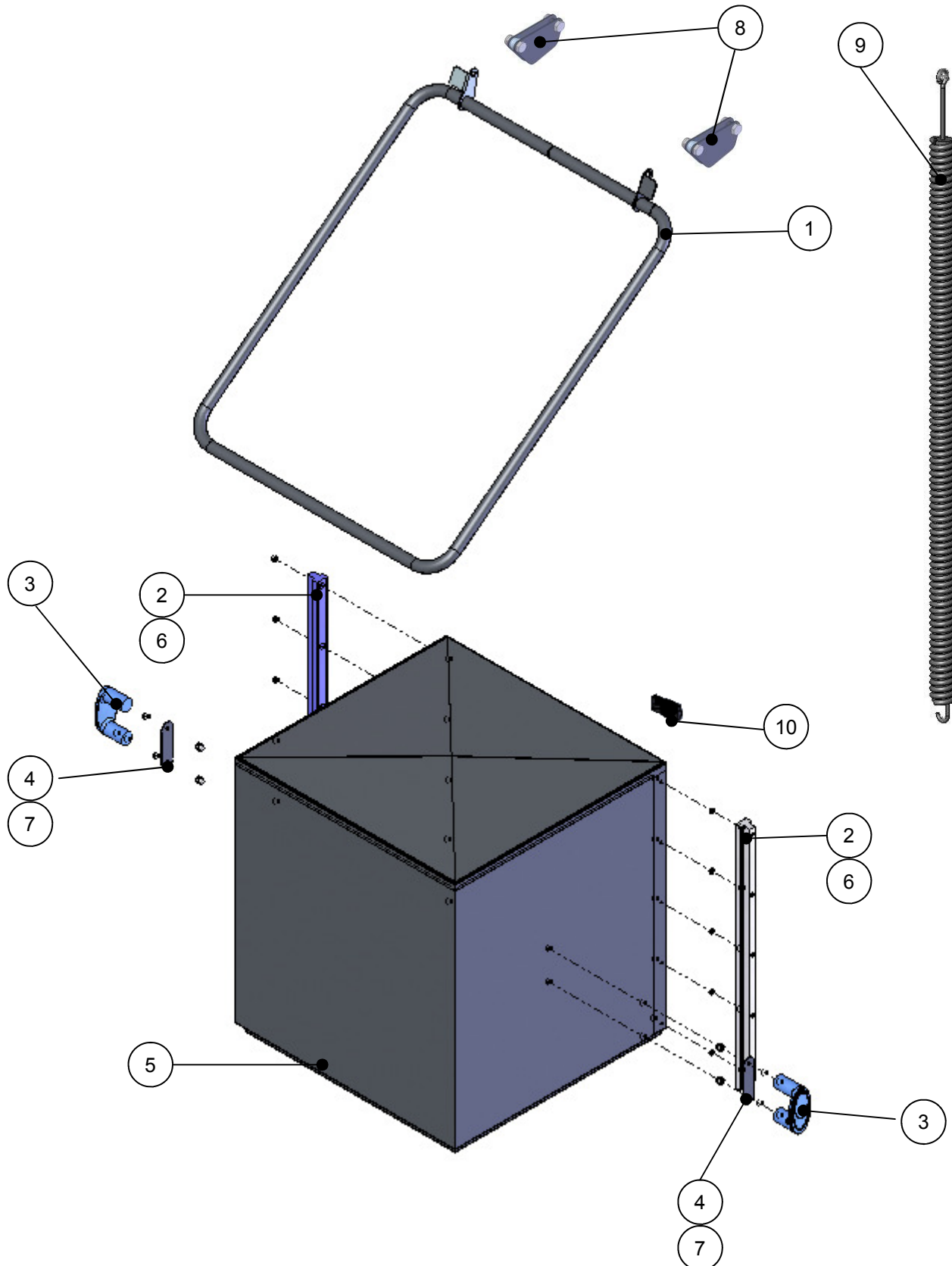


## Filters & Basket supports

Item	Description	Part no.	Qty	Note
1	Secondary filter (Metal)	61004701	1	Only on drain pump machines
2	Primary filter	230.0013	2	
3	Basket support	115.0008	1	

**Hood assembly**

Machine type	Assembly description	Assembly part no.
H857 / H957	Hood Assembly	011.0012

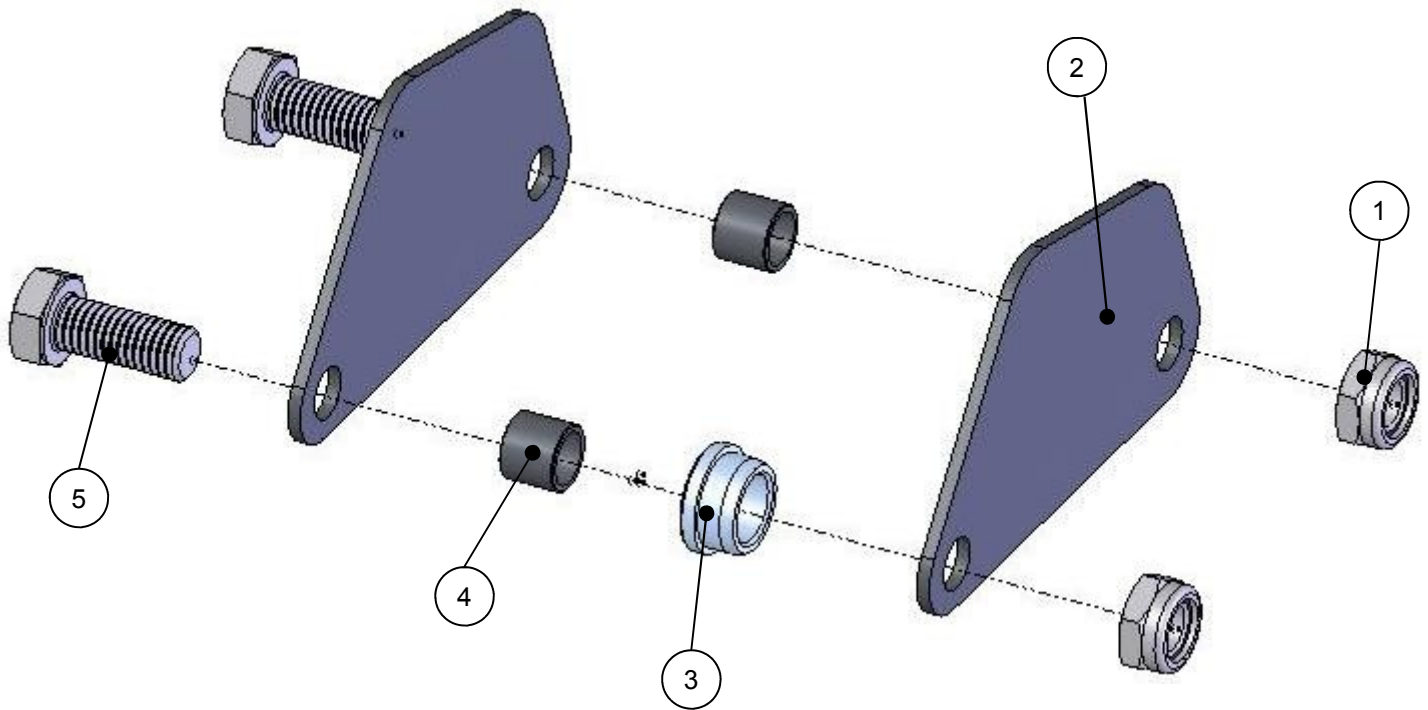


## Hood assembly

Item	Description	Part no.	Qty	Note
1	Hood handle	113.0001	1	
2	Hood guide	291.0001	2	
3	Handle guide	257.0001	2	
4	Handle guide support plate	102.0007	2	
5	Hood	111.0005	1	
6	M5 nut—flange	FNUT-05	10	
7	M8 nut—dome	DNUT-08	4	
8	Lever arm assembly	010.0001	2	
9	Spring	61006603	2	Only 1 shown
10	Magnet - Door switch	571.0001	1	

## Lever arm assembly (Hood mechanism)

Machine type	Assembly description	Assembly part no.
All models	Lever arm assembly	010.0001

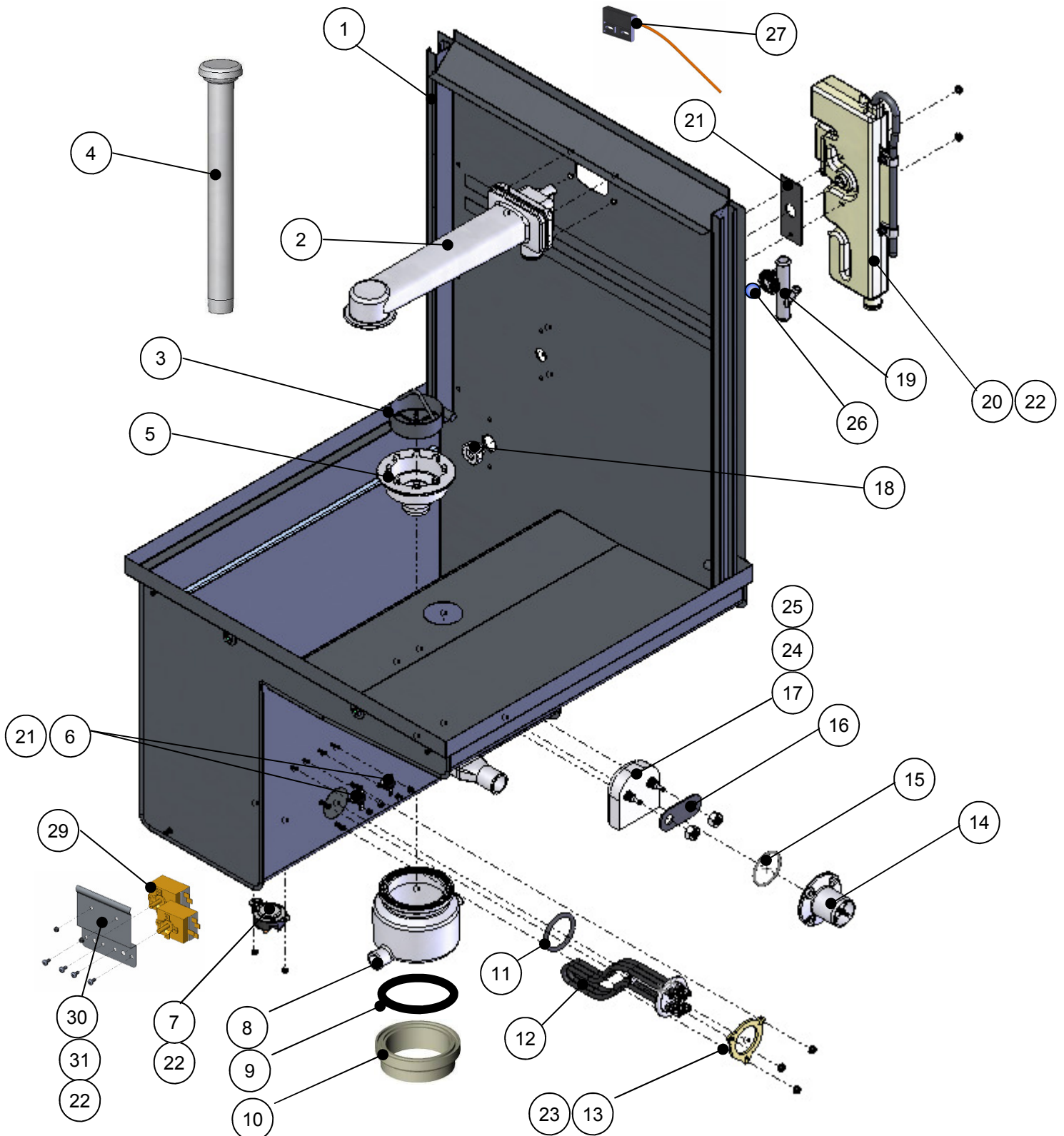


### Lever arm assembly (Hood mechanism)

Item	Description	Part no.	Qty	Note
1	M8 Nyloc nut		2	
2	Lever arm - CL0393	102.0008	2	
3	Boss, lever arm - CL0396	100.0011	1	
4	Boss, lever arm - CL0394	100.0010	2	
5	M8 x 20mm Hex head screw		2	

## Wash tank assembly

Machine type	Assembly description	Assembly part no.
H857A & H957A	Wash Tank Assembly (Air Brake)	011.0011
H857 & H957	Wash Tank Assembly (pressurised Tank)	011.0012



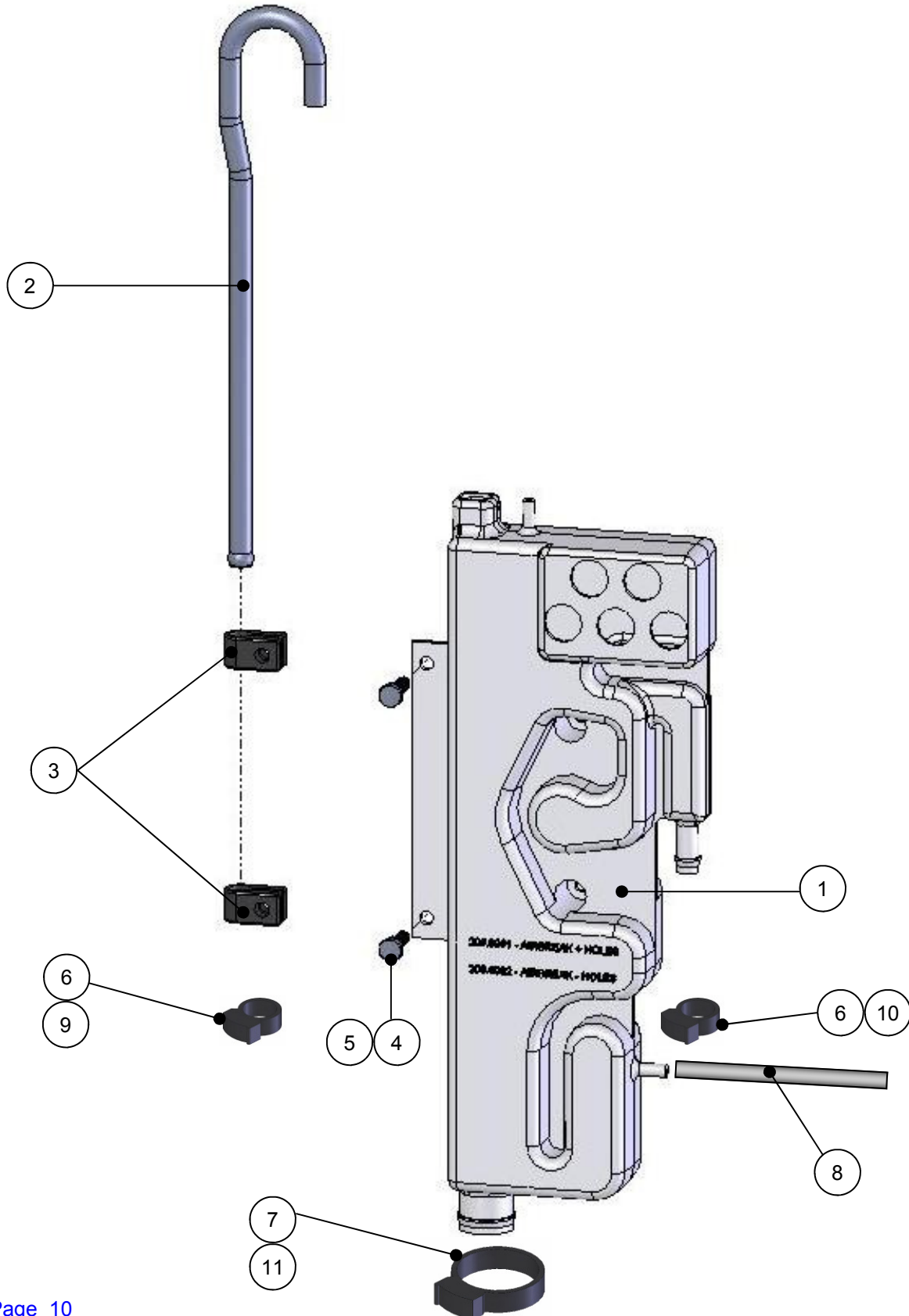


## Wash tank assembly

Item	Description	Part no.	Qty	Note
1	Wash Cabinet	110.0004	1	
2	Top wash rinse manifold assembly	021.0007	1	Exploded view on page 16
3	Secondary filter	61004701	1	Drain pump machines only - Shown on page 2 (item 1)
4	Drain plug	610025174	1	Gravity drain machines only
5	Inner drain boss	61004905	1	
6	Auto reset thermal trip switch - 1 pole - 55°C (normally closed)	541.0009	2	On models prior to Sept 2008
7	Manual reset thermal trip switch - 3 pole - 85°C (normally closed)	540.0003	1	
8	Drain Bottle	61004698	1	Drain pump machines only
9	Seal 80 x 102 x 2	2701007	1	Gravity drain machines only
10	Nut - Drain boss	61004910	1	Gravity drain machines only
11	O ring—6mm x 47mm	300.6047	1	
12	Wash element 3x 1350W	555.0005	1	
13	Element clamp ring	600010934	1	
14	Wash outlet boss	240.0003	1	
15	O ring—3mm x 47mm	300.3047	1	
16	Air pressure vessel seal	301.0001	1	
17	Air pressure vessel	260.0001	1	
18	Nut—drain air break	60003587	1	Drain pump machines only
19	Drain air break	60003586	1	Drain pump machines only
20	Airbrake (WRAS approved)	020.0001	1	H857A & H957A only, see page 10
21	Seal—air break	301.0002	1	
22	M3 nut—flange	FNUT-03	6	
23	M5 nut—flange	FNUT-05	5	
24	M12 nut—plastic	PNUT-12	2	
25	Hose	RT2	0.4	Air pressure switch hose
26	Ball - Drain air break	2801508	1	
27	Door switch	570.0001	1	
28	20mm Blanking cover	255.0001	1	H857 & H957 only - Not shown
			1	Gravity drain machines only - Not shown
29	Thermostat	542.0002	2	On models after Sept 2008
30	Thermostat bracket	164.0009	1	On models after Sept 2008
31	M4 x 6 Pozi screw	SC040	4	On models after Sept 2008

## Air break tank assembly

Machine type	Assembly description	Assembly part no.
H957A & H957A	Air break (WRAS approved)	020.0001
H857A & H957A	Air break (without overflow)	020.0002

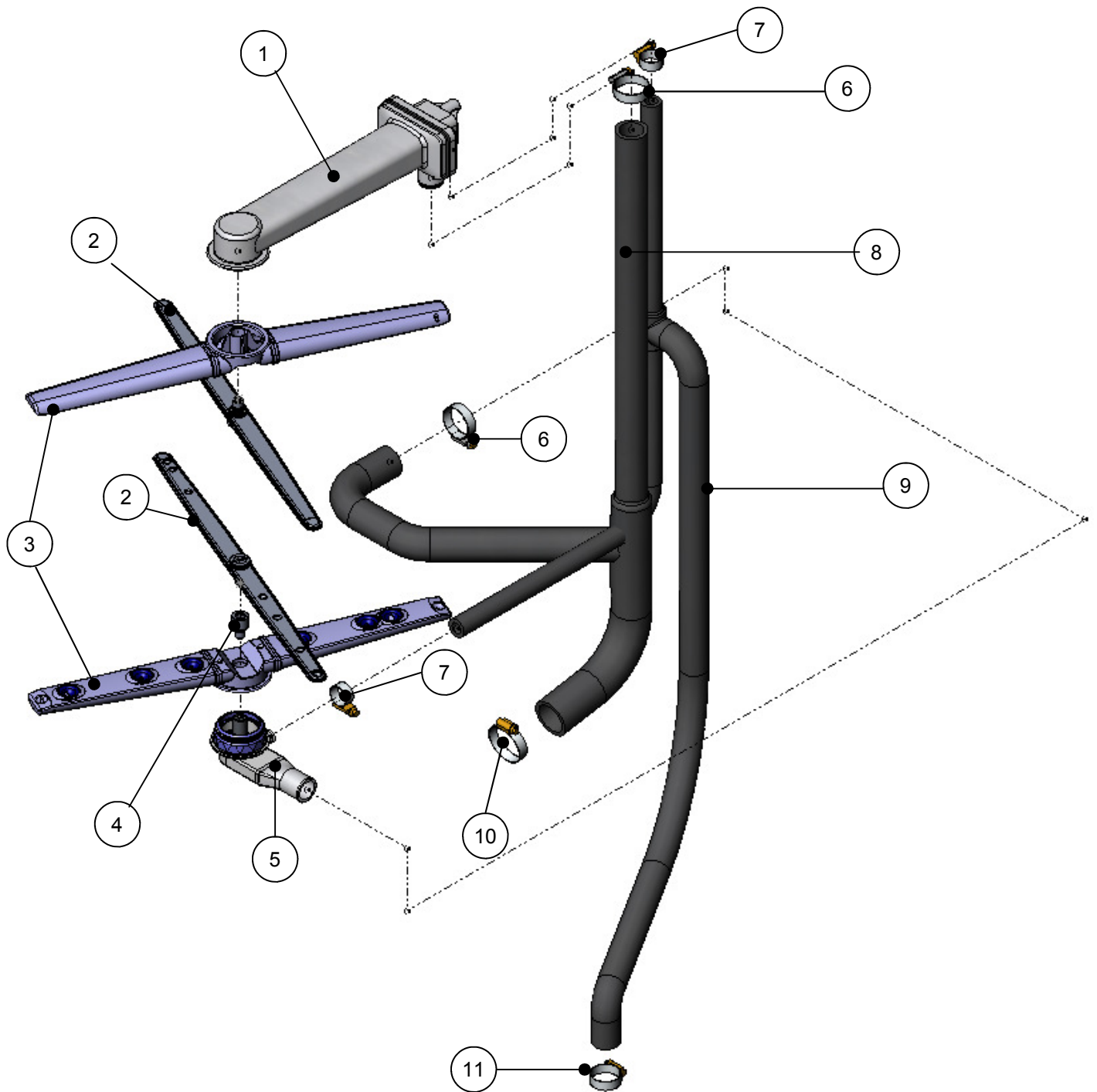


## Air break tank assembly

Item	Description	Part no.	Qty	Note
1	Air break (WRAS approved)	200.0001	1	
2	Air break feeder tube	190.0001	1	
3	Cable cleat	331.0001	2	
4	M6 x 15mm long Hex head screw	SC029	2	
5	M6 flange nut	FNUT-06	2	
6	Clip (small)	7.4.12/10	2	
7	Clip (large)	7.4.12/12	1	
8	Hose	RT2	1.65	
9	Silicon hose - Ø9.5mm	H-09S	0.93	Water feeder hose, not shown
10	Silicon hose - Ø9.5mm	H-09S	0.82	Air break breather hose, not shown
11	Silicon hose - Ø23mm	H-23S	0.52	Rinse tank feeder hose, not shown

## Rinse & Wash system

Machine type	Assembly description	Assembly part no.
All models	Rinse and Wash system	021.0008

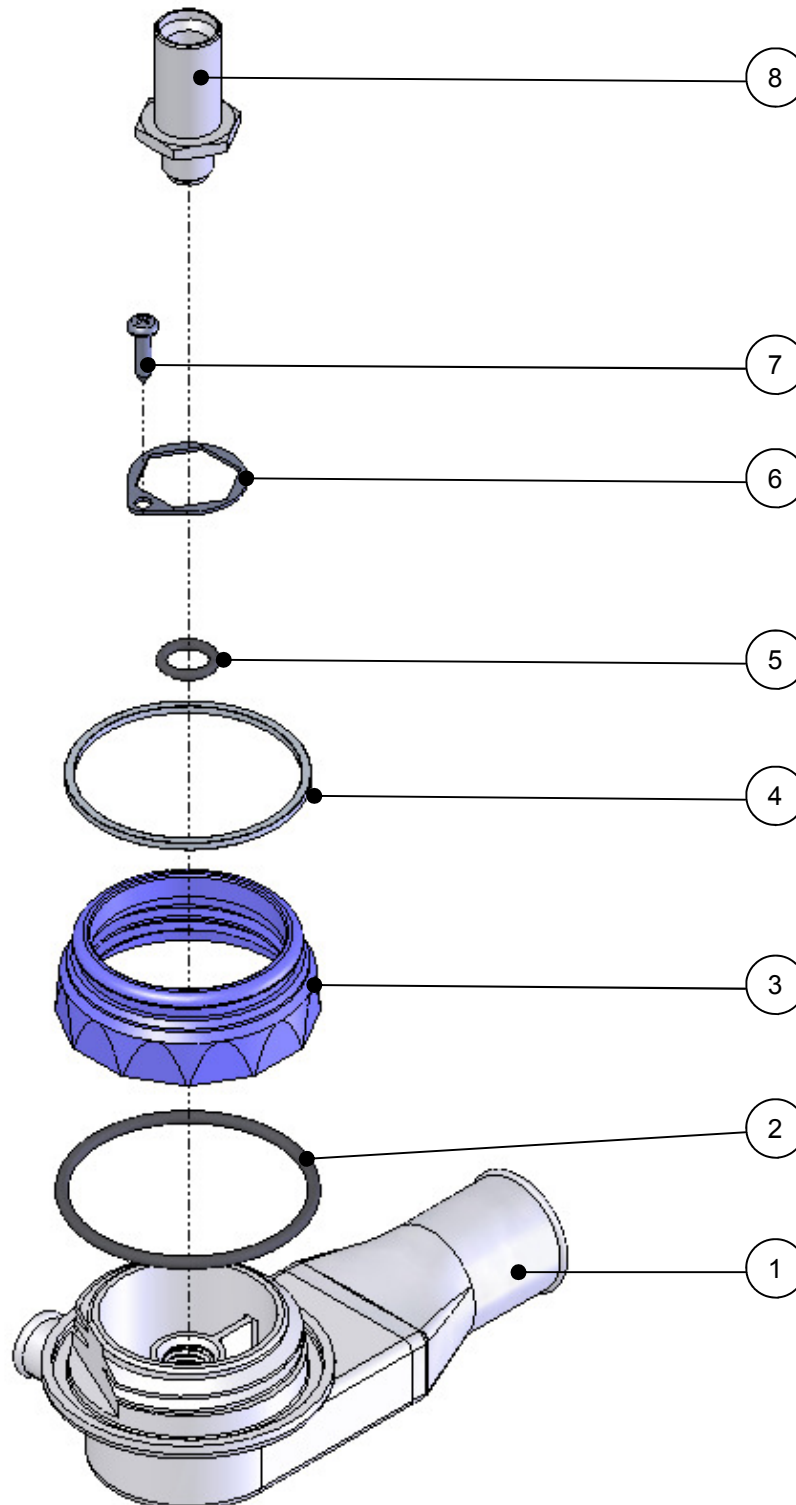


## Rinse & Wash system

Item	Description	Part no.	Qty	Note
1	Top wash rinse manifold assembly	021.0007	1	Exploded view on page 16
2	Rinse arm assembly—500mm	022.0002	2	Exploded view on page 18
3	Wash arm assembly—500mm	60004171	2	
4	Rinse arm extension screw	100.0005	1	
5	Bottom Wash rinse boss	021.0005	1	Exploded view on page 14
6	Jubilee clip 30mm to 45mm	JCLIP-30-45	2	
7	Jubilee clip 25mm to 32mm	JCLIP-25-32	2	
8	Wash pump outlet hose	406.0004	1	
9	Rinse pump to rinse jet hose	404.0003	1	
10	Jubilee clip 40mm to 60mm	JCLIP-040-060	1	
11	Jubilee clip 25mm to 40mm	JCLIP-025-040	1	

## Bottom boss assembly

Machine type	Assembly description	Assembly part no.
All models	Bottom boss	021.0005

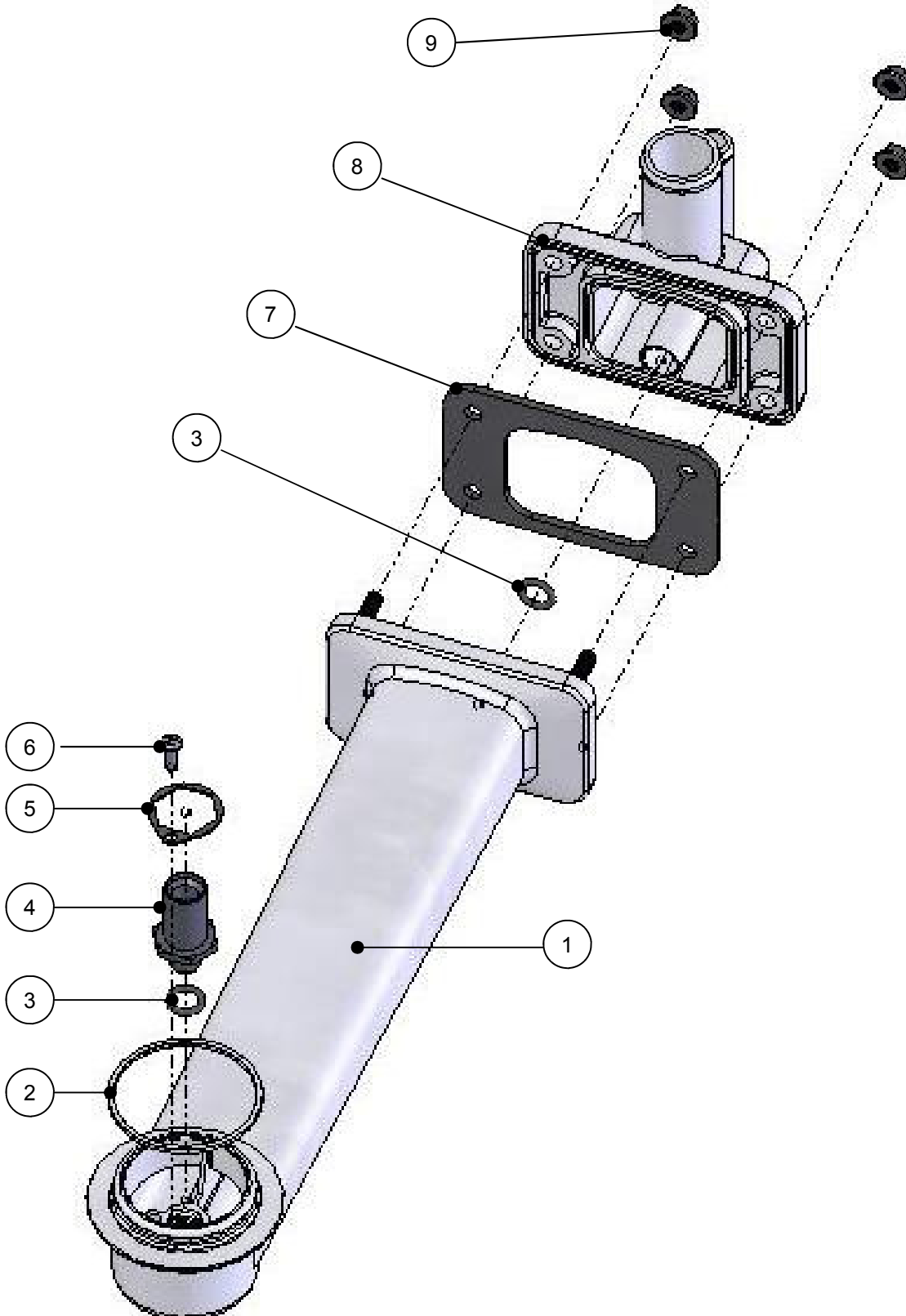


### Bottom boss assembly

Item	Description	Part no.	Qty	Note
1	Centre boss (bottom)	60004157	1	
2	O ring - Ø3mm x Ø56mm	300.3056	1	
3	Lock nut	60003005	1	
4	Seal	60003021	1	
5	O ring - Ø2.5mm x Ø10mm	300.2510	1	
6	Fixing plate	61006076	1	
7	M3 x 16mm Long - Self tapping screw	20 20 305	1	
8	Rinse arm spindle	60002987	1	

## Top wash rinse manifold assembly

Machine type	Assembly description	Assembly part no.
All models	Top wash rinse manifold assembly	021.0005



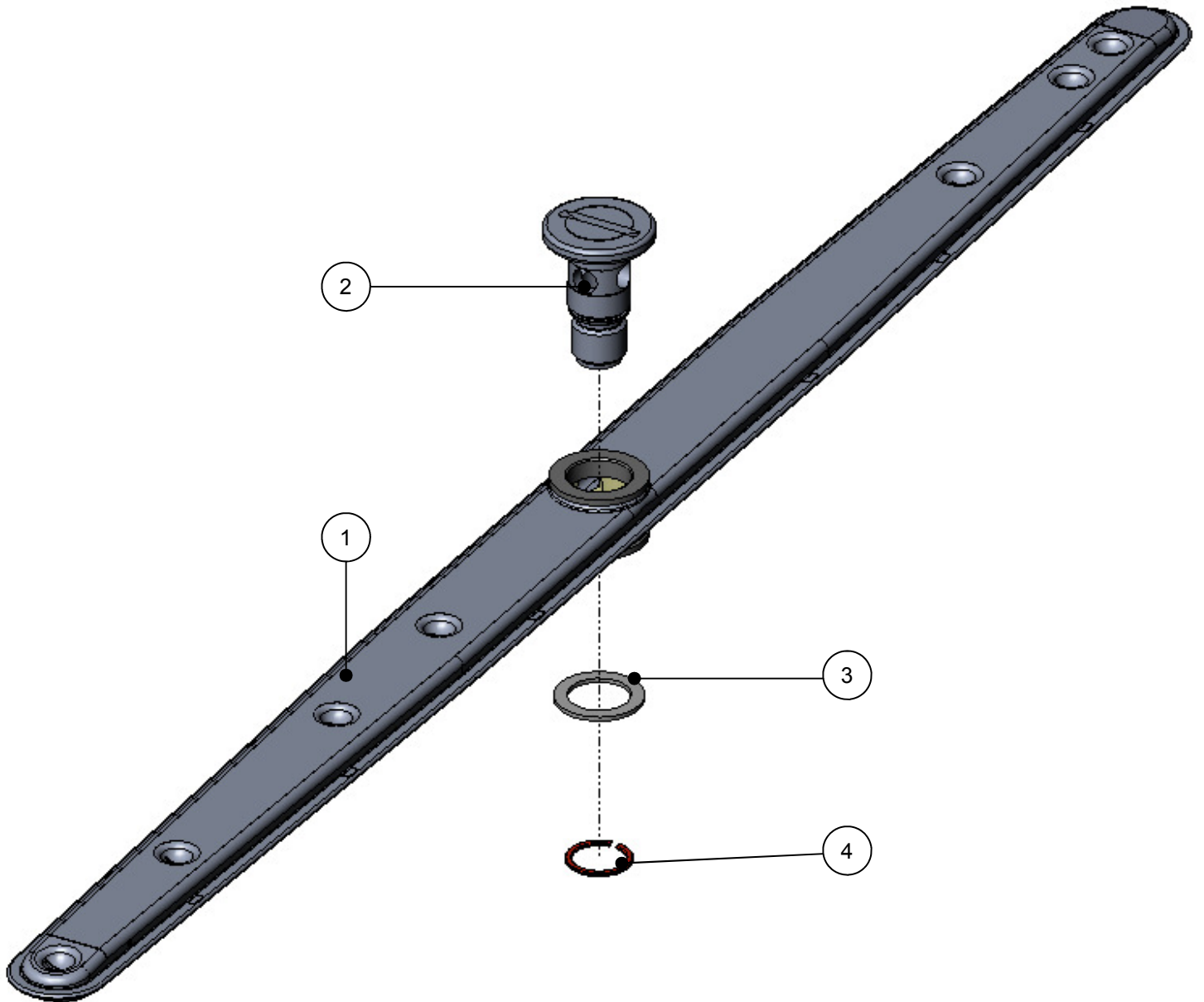


## Top wash rinse manifold assembly

Item	Description	Part no.	Qty	Note
1	Wash / Rinse manifold - Inner	211.0002	1	
2	Seal (Turbo ring)	60003021	1	
3	O ring - Ø2.5mm x Ø10mm	300.2510	2	
4	Rinse arm spindle	60002987	1	
5	Fixing plate	61006076	1	
6	M3 x 16mm Long - Self tapping screw	20 20 305	1	
7	Top wash seal	301.0004	1	
8	Wash / Rinse manifold - Outer	211.0001	1	
9	M6 Flange nut	FNUT-06	4	

## Rinse arm assembly

Machine type	Assembly description	Assembly part no.
All models	Rinse arm assembly	022.0002

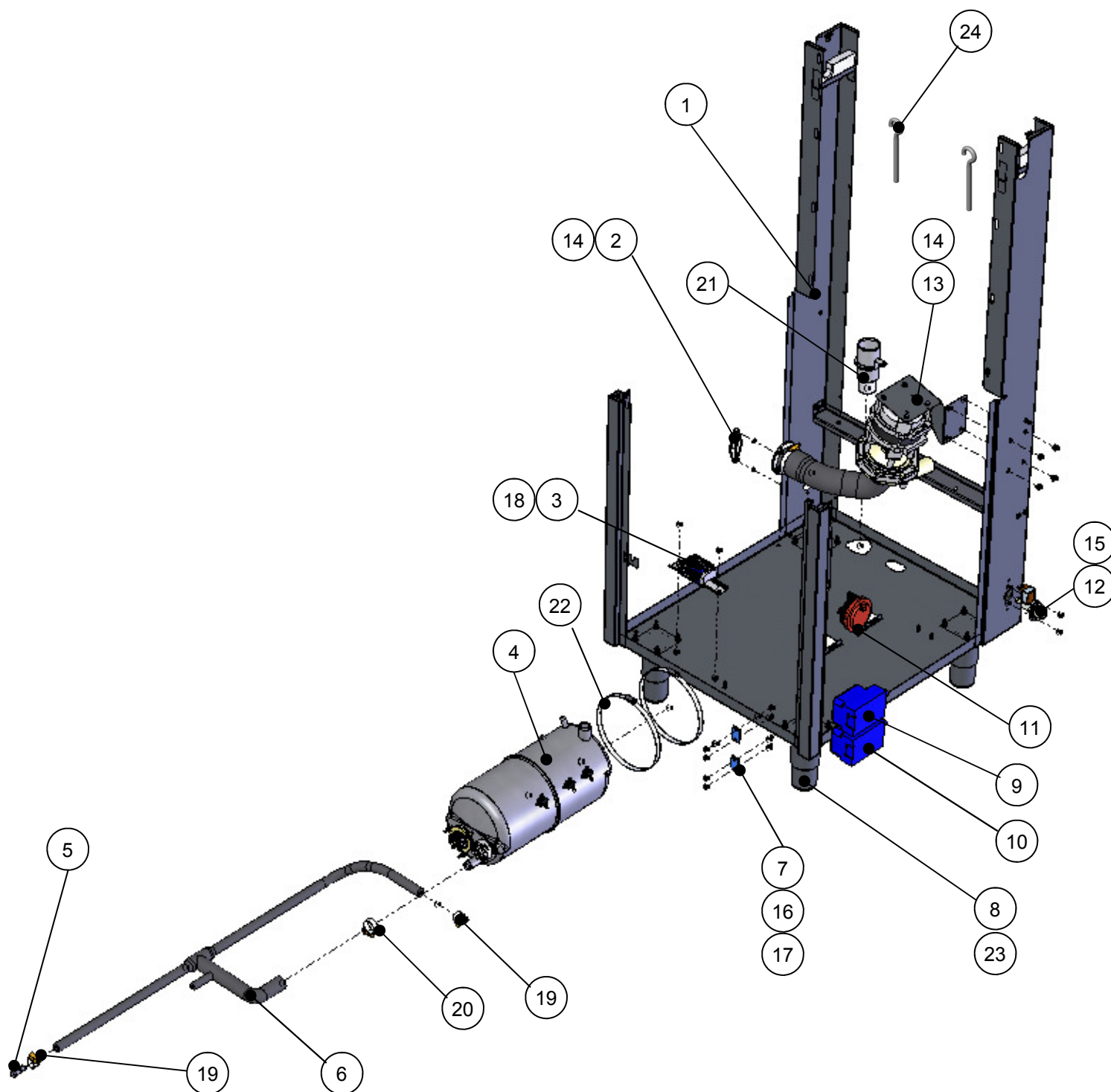


## Rinse arm assembly

Item	Description	Part no.	Qty	Note
1	Rinse arm - 500mm	60003948	1	
2	Rinse arm screw	60004124	1	
3	Washer	60003487	1	
4	Locking ring	60003023	1	

## Base assembly (pressurised tank)

Machine type	Assembly description	Assembly part no.
H857	Base Assembly—7.5 litre x 6KW—Pressurised Tank	012.0026
H957	Base Assembly—7.5 litre x 8.6KW—Pressurised Tank	012.0027

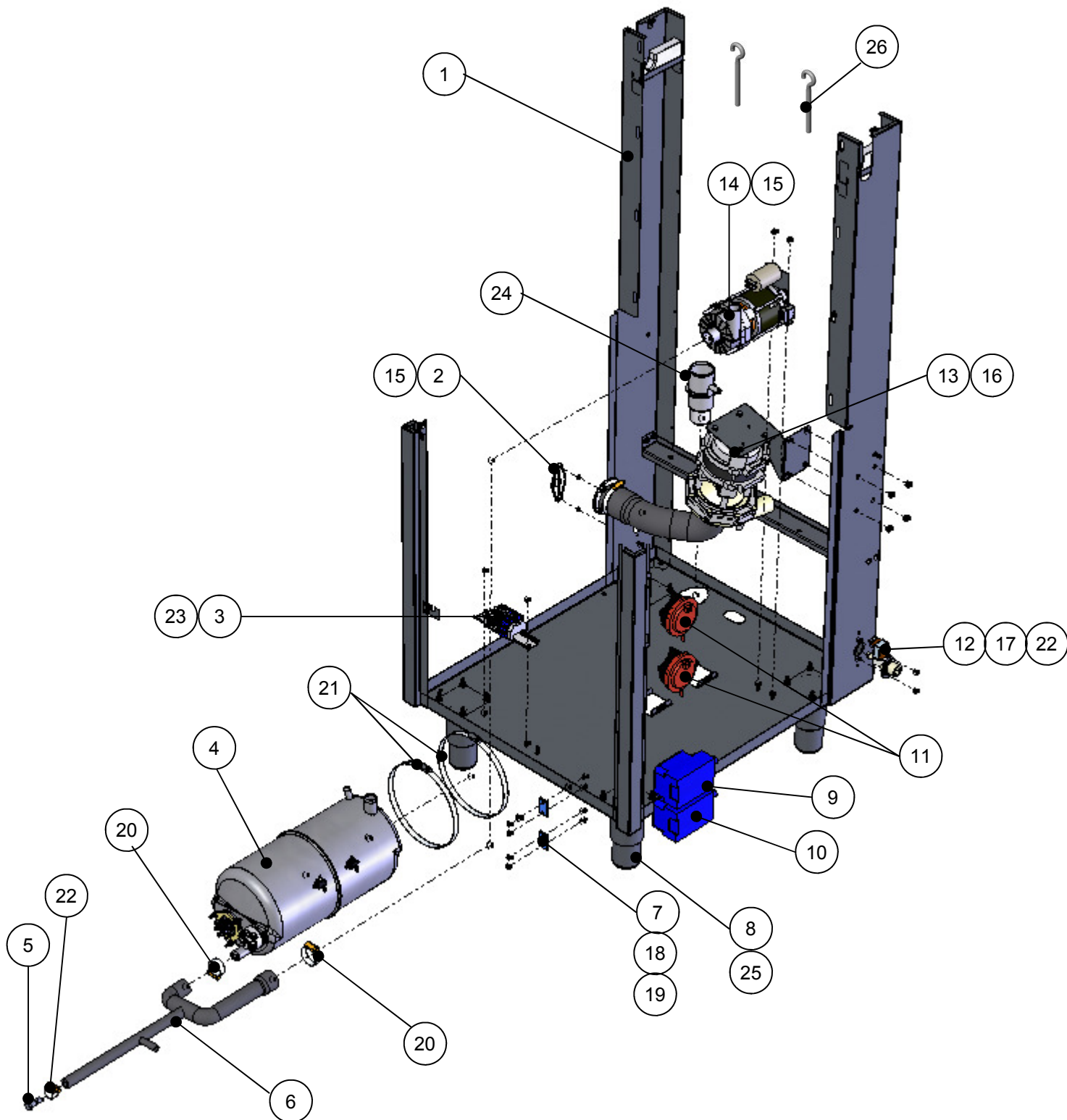


## Base assembly (pressurised tank)

Item	Description	Part no.	Qty	Note
1	Machine base	120.0005	1	
2	20mm blanking cover	255.0001	1	
3	Terminal block assembly	058.0001	1	Exploded view on page 24
4	Rinse Boiler - 6kW	013.0005	1	Exploded view on page 26 & 27
	Rinse Boiler - 8.6kW	013.0009		Exploded view on page 26 & 27
	Rinse Boiler - 12kW	013.0010		Exploded view on page 28 & 29
5	Drain plug - Rinse tank	100.0003	1	
6	Hose - Rinse boiler to inlet solenoid	401.0003	1	
7	Chemical pump bracket	526.0006	2	
8	Adjuster foot	310.0002	4	
9	Chemical pump - Detergent	See pages 38 to 41	1	This item is optional
10	Chemical pump - Rinse aid	See pages 38 to 41	1	This item is optional
11	Air pressure switch (77/15 102/77)	530.0001	1	Up to serial number ##### - 0752
	Air pressure switch (73/07 108/87)	530.0002		From serial number ##### - 0801
12	Inlet solenoid valve	7.12.12/1	1	
13	Wash pump assembly - 0.74kW	052.2204	1	Exploded view on page 28
14	M6 nut - flange	FNUT-06	4	
15	M4 x 10mm long - Pan head screw	SC006	2	
16	M4 nut - flanged	FNUT04	4	
17	M4 x 10mm long - Counter sunk screw	SC009	4	
18	M3 nut Flange	FNUT-03	2	
19	Jubilee clip - 20mm to 32mm	JCLIP-012-022	3	
20	Jubilee clip - 20mm to 32mm	JCLIP-020-032	1	
21	Drain boss	61006158	1	
22	Jubilee clip - 160mm to 180mm	JCLIP-160-180	1	
23	M6 x 20mm long - Hex head screw	SC029	16	4 per foot
24	Eye screw	61004991	2	

## Base assembly (airbreak)

Machine type	Assembly description	Assembly part no.
H857	Base Assembly—7.5 litre x 6KW—Air Brake	012.0025
H957	Base Assembly—7.5 litre x 8.6KW—Air Brake	012.0028

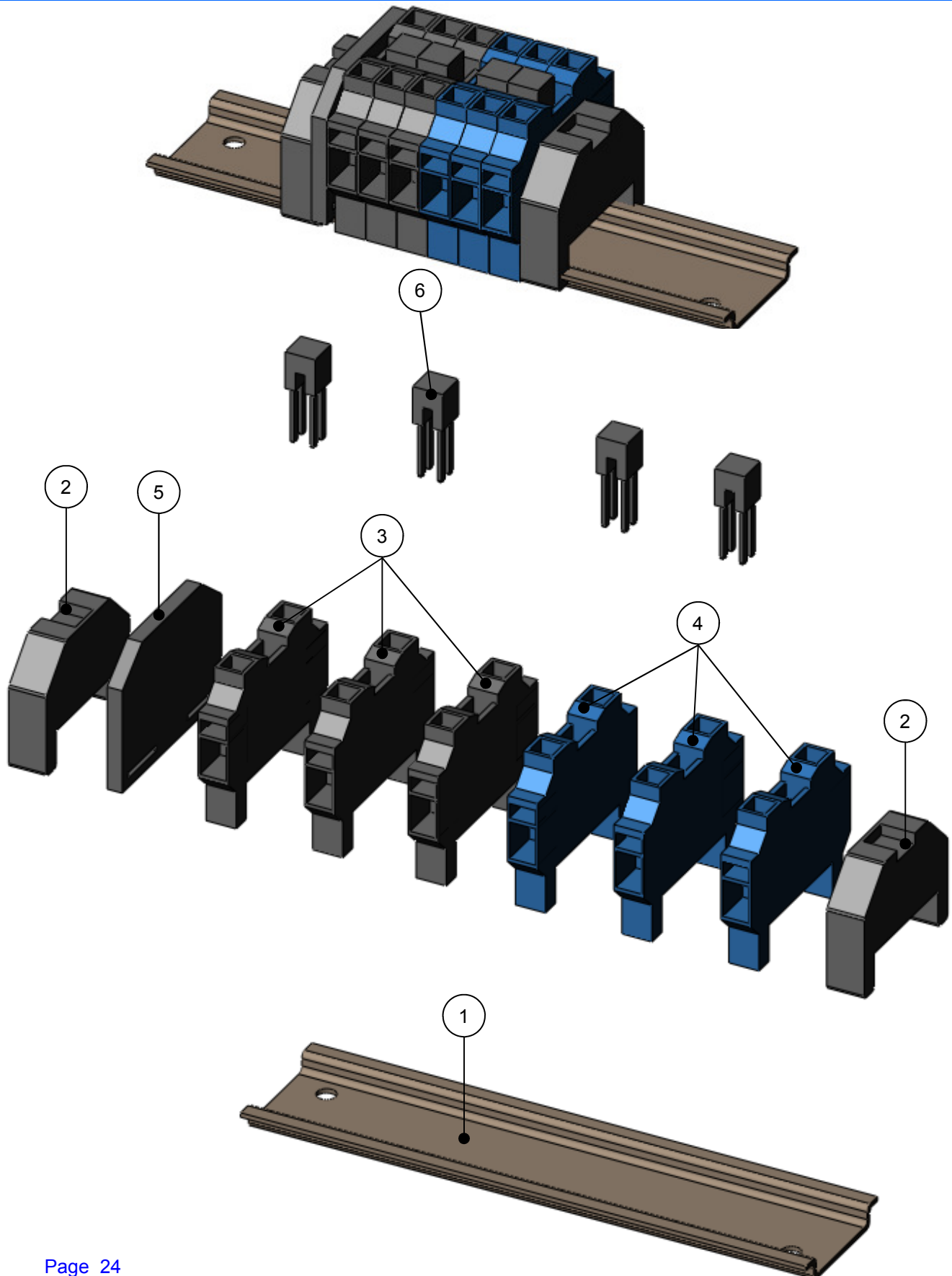


## Base assembly (airbreak)

Item	Description	Part no.	Qty	Note
1	Machine base	120.0005	1	
2	20mm blanking cover	255.0001	1	
3	Terminal block assembly	058.0001	1	Exploded view on page 24
4	Rinse Boiler - 7.5 litre x 6kW x 80°C	013.0005	1	Exploded view on page 26 & 27
	Rinse Boiler - 7.5 litre x 8.6kW x 80°C	013.0009		Exploded view on page 26 & 22
	Rinse boiler - 12litre x 15KW x 80°C	013.0010		Exploded view on page 28 & 29
5	Drain plug - Rinse tank	100.0003	1	
6	Hose - Rinse boiler to rinse pump	403.0002	1	
7	Chemical pump bracket	526.0006	2	
8	Adjuster foot	310.0002	4	
9	Chemical pump - Detergent	See pages 38 to 41	1	This item is optional
10	Chemical pump - Rinse aid	See pages 38 to 41	1	This item is optional
11	Air pressure switch (77/15 102/77)	530.0001	2	Up to serial number ##### - 0752
	Air pressure switch (73/07 108/87)	530.0002		From serial number ##### - 0801
12	Inlet solenoid valve	7.12.12/1	1	
13	Wash pump assembly - 0.74kW	052.2204	1	Exploded view on page 28
14	Rinse pump assembly - 0.27kW	See pages 32 to 35	1	
15	M5 nut - flange	FNUT-05	4	
16	M6 nut - flange	FNUT-06	4	
17	M4 x 10mm long - Pan head screw	SC006	2	
18	M4 nut - flanged	FNUT04	4	
19	M4 x 10mm long - Counter sunk screw	SC009	4	
20	Jubilee clip - 20mm to 32mm	JCLIP-020-032	2	
21	Jubilee clip - 160mm to 200mm	JCLIP-160-200	2	
22	Jubilee clip - 12mm to 22mm	JCLIP-012-022	2	
23	M3 nut Flange	FNUT-03	2	
24	Drain boss	61006158	1	
25	M6 x 20mm long - Hex head screw	SC029	16	4 per foot
26	Eye screw	61004991	2	

## Terminal block assembly

Machine type	Assembly description	Assembly part no.
All models	Terminal block assembly	058.0001



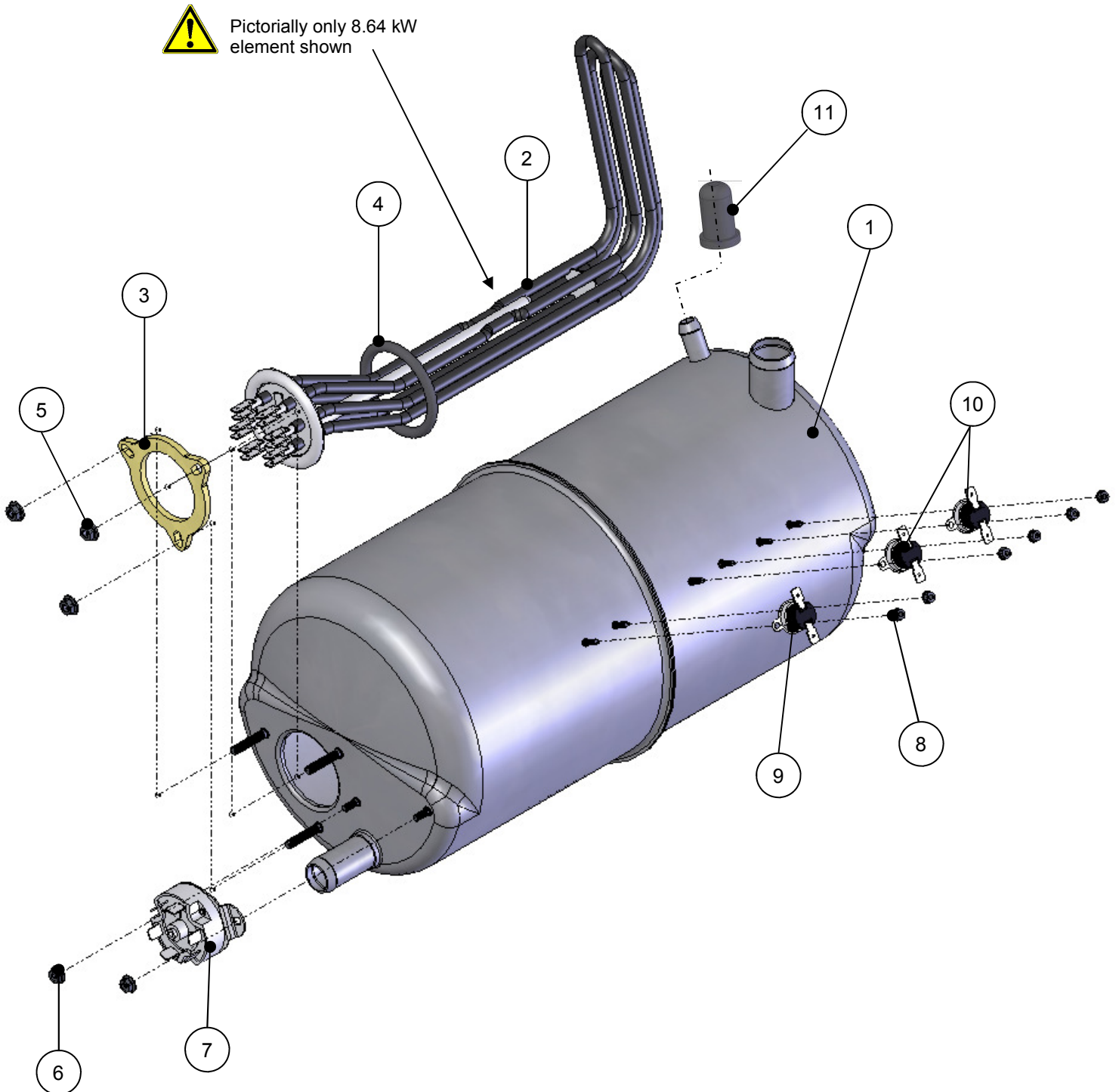


## Terminal block assembly

Item	Description	Part no.	Qty	Note
1	Din rail - 150mm long	7.6.6.6UL	1	
2	Terminal block - 6mm - End stop	580.0007	2	
3	Terminal block - 6mm - Grey	580.0003	3	6kW & 8.66kW rinse boiler machines
			6	12 kW rinse boiler machines only
4	Terminal block - 6mm - Blue	580.0004	4	
5	Terminal block - 6mm - End plate	580.0005	1	
6	Terminal block - 6mm - Jumper	580.0006	4	1 phase - 6kW rinse boiler machines
			2	3 phase - 6kW & 8.64kW rinse boiler machines
			6	12kW rinse boiler machines

**Rinse boiler**

Machine type	Assembly description	Assembly part no.
H857	Rinse boiler assembly - 7.5litres x 80°c x 6,000 watts	013.0005
H957	Rinse boiler assembly - 7.5litres x 80°c x 8,600 watts	013.0009

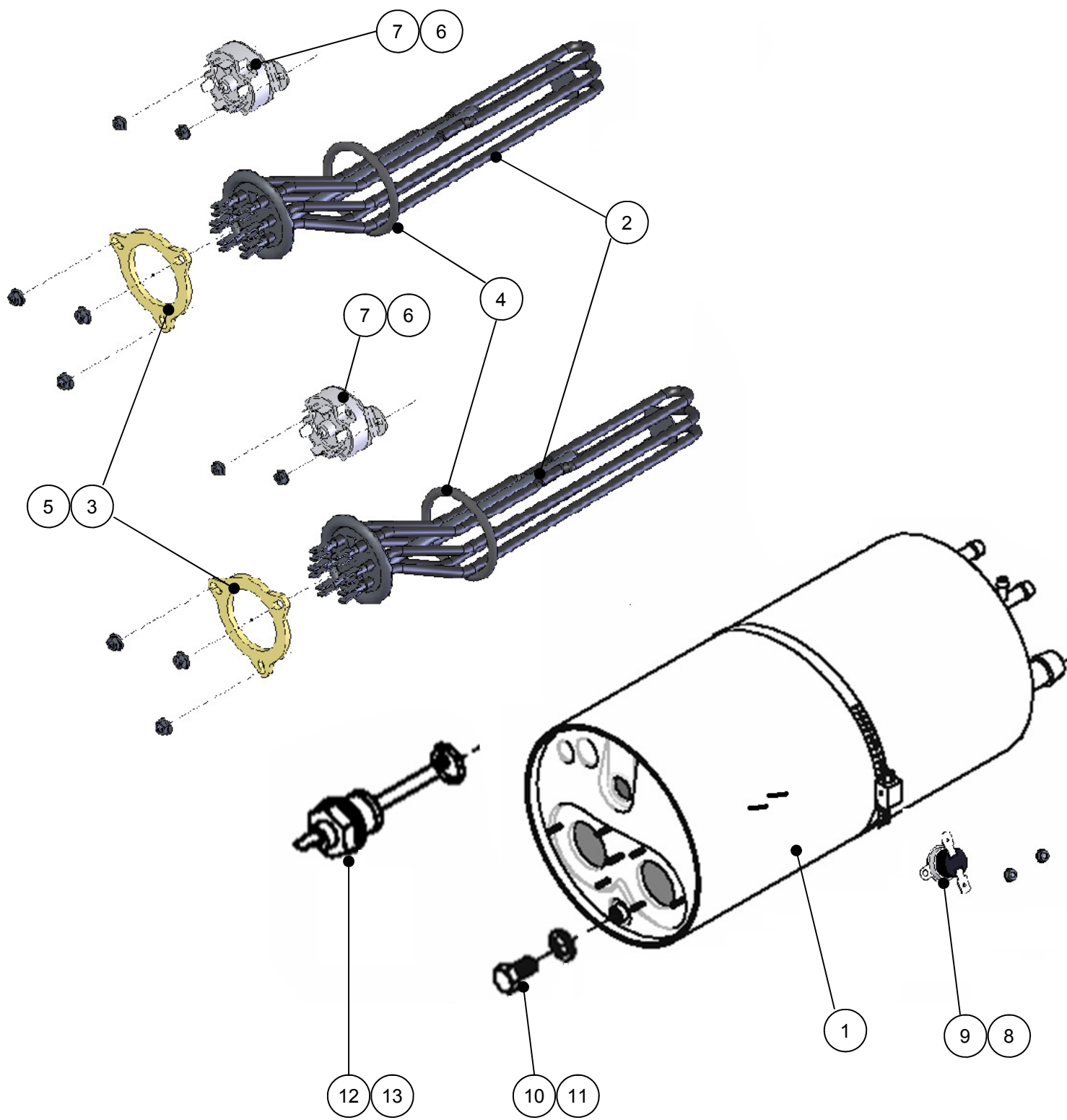


## Rinse boiler

Item	Description	Part no.	Qty	Note
1	Rinse boiler - 7.5 litres	130.0003	1	
2	Rinse element - 3 x 2,000 watt	550.0001	1	H857 only, not shown
	Rinse element - 3 x 2,880watt	550.0004		H957 only
3	Bracket - Rinse element	600010934	1	
4	O-ring seal - Ø6mm x Ø47mm	300.6047	1	
5	M5 nut - Flange	FNUT-05	3	
6	M4 nut - Flange	FNUT - 04	2	
7	Manual reset thermal trip switch - 3 pole - 105°C (normally closed)	540.0002	1	
8	M3 nut - Flange	FNUT-03	6	
9	Auto reset thermal trip switch - 1 pole - 55°C (normally open)	541.0002	1	
10	Auto reset thermal trip switch - 1 pole - 80°C (normally closed)	541.0011	2	Only on machines prior to Sept 2008
11	End cap	410.0002	1	Only on none air break machines

**Rinse boiler**

Machine type	Assembly description	Assembly part no.
H957 - 12kW	Rinse boiler assembly - 12.000 watts	013.0010

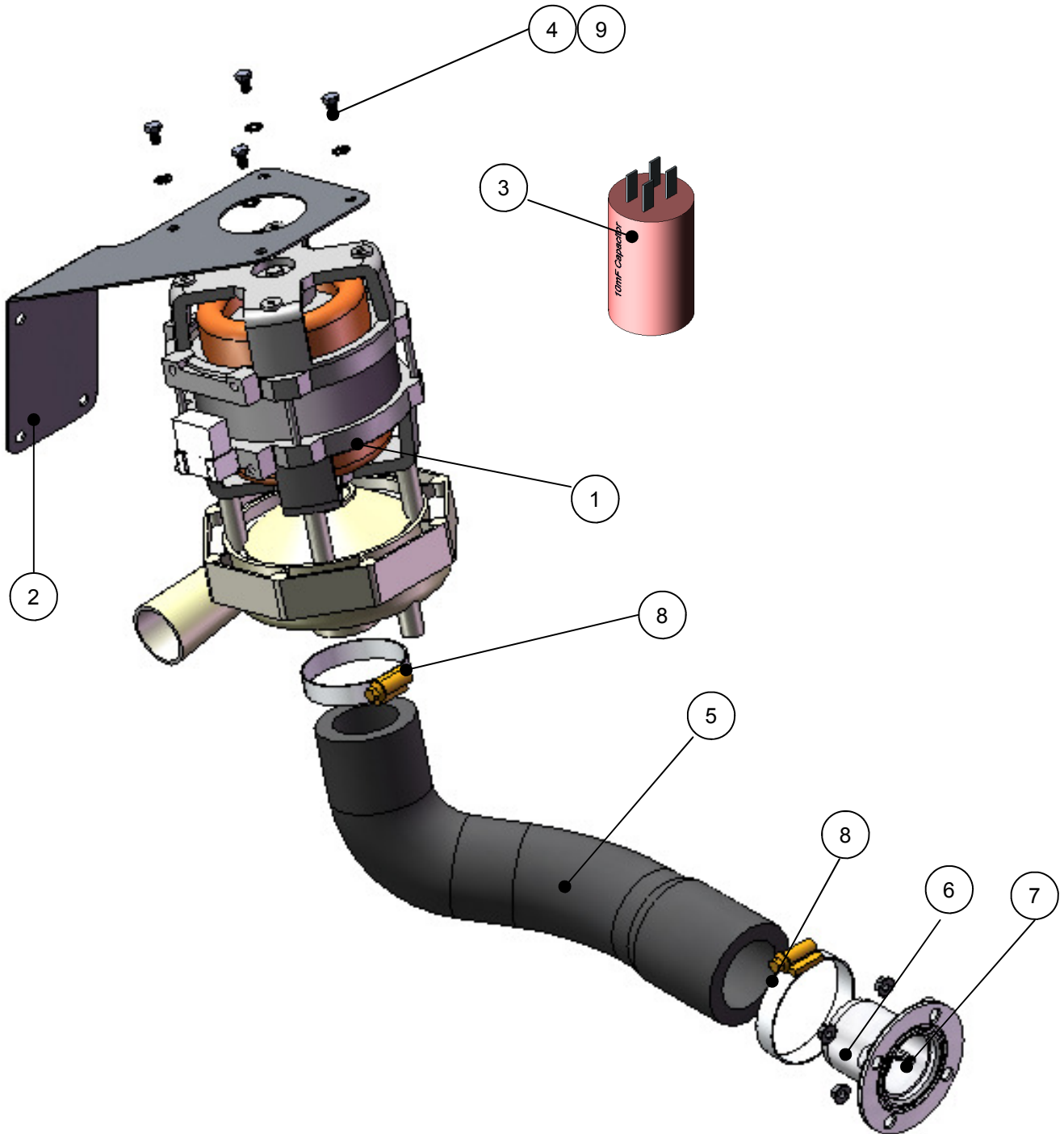


## Rinse boiler

Item	Description	Part no.	Qty	Note
1	Rinse Boiler - 12 kW	61005192	1	Includes items 10 & 11
2	Rinse element - 3 x 2,000watt	550.0001	2	
3	Bracket - Rinse element	600010934	2	
4	O-ring seal - Ø6mm x Ø47mm	300.6047	2	
5	M5 nut - Flange	FNUT-05	6	
6	M4 nut - Flange	FNUT - 04	4	
7	Manual reset thermal trip switch - 3 pole - 105°C (normally closed)	540.0002	2	
8	M3 nut - Flange	FNUT-03	6	
9	Auto reset thermal trip switch - 1 pole - 55°C (normally open)	541.0002	1	
10	Drain bolt	20 01 352	1	
11	Seal - Drain bolt	27 03 0003	1	
12	Blank cover	60003874	1	
13	Seal - Blank cover	27 07 079	1	

## Wash pump assembly - 0.74kW

Machine type	Assembly description	Assembly part no.
All models	Wash pump assembly - 0.74kW (50Hz)	052..2204

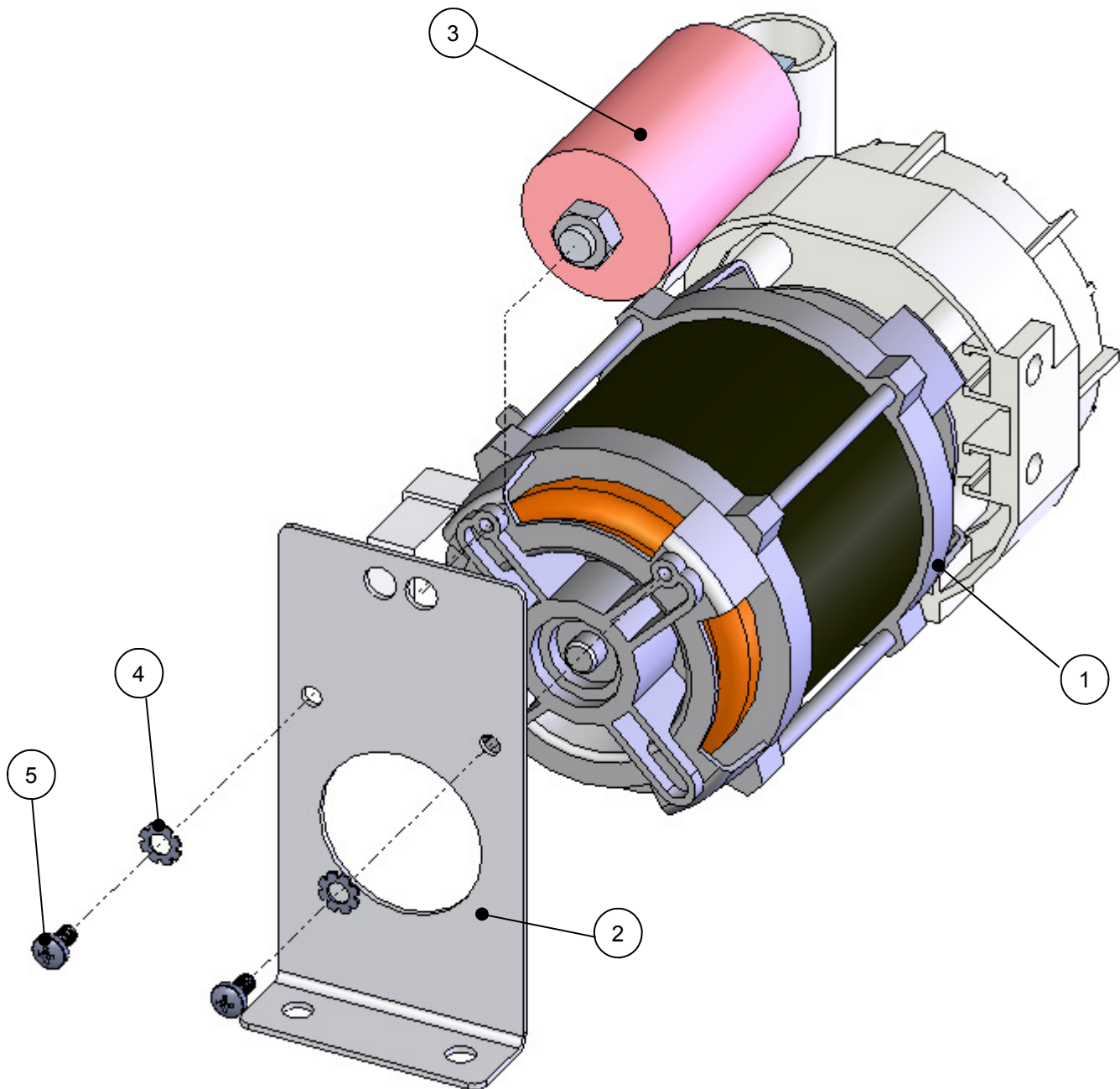


### Wash pump assembly - 0.74kW

Item	Description	Part no.	Qty	Note
1	Wash pump - 0.74 kW (50Hz)	522.0002	1	Only fitted to 50Hz units
	Wash pump - 0.74 kW (60Hz)	9.6.0/BX1		Only fitted to 60Hz units (USA)
2	Bracket - Pump 0.74 kW	160.0010	1	(bracket changed to allow better air flow)
3	Capacitor - 8 $\mu$ F	529.0008	1	
4	M5 x 8mm long - Hex screw	SC011	4	
5	Hose - Wash pump inlet	405.0002	1	
6	Wash outlet	240.0003	1	
7	O-ring seal - $\varnothing$ 30mm x $\varnothing$ 47mm	300.3047	1	
8	Jubilee clip - $\varnothing$ 40mm to $\varnothing$ 60mm	JCLIP-040-060	1	
9	M5 star washer	W014	4	Not shown

**Rinse pump assembly - Standard**

Machine type	Assembly description	Assembly part no.
H857A & H957A	Rinse pump assembly - 0.27kW (50Hz)	052.2002





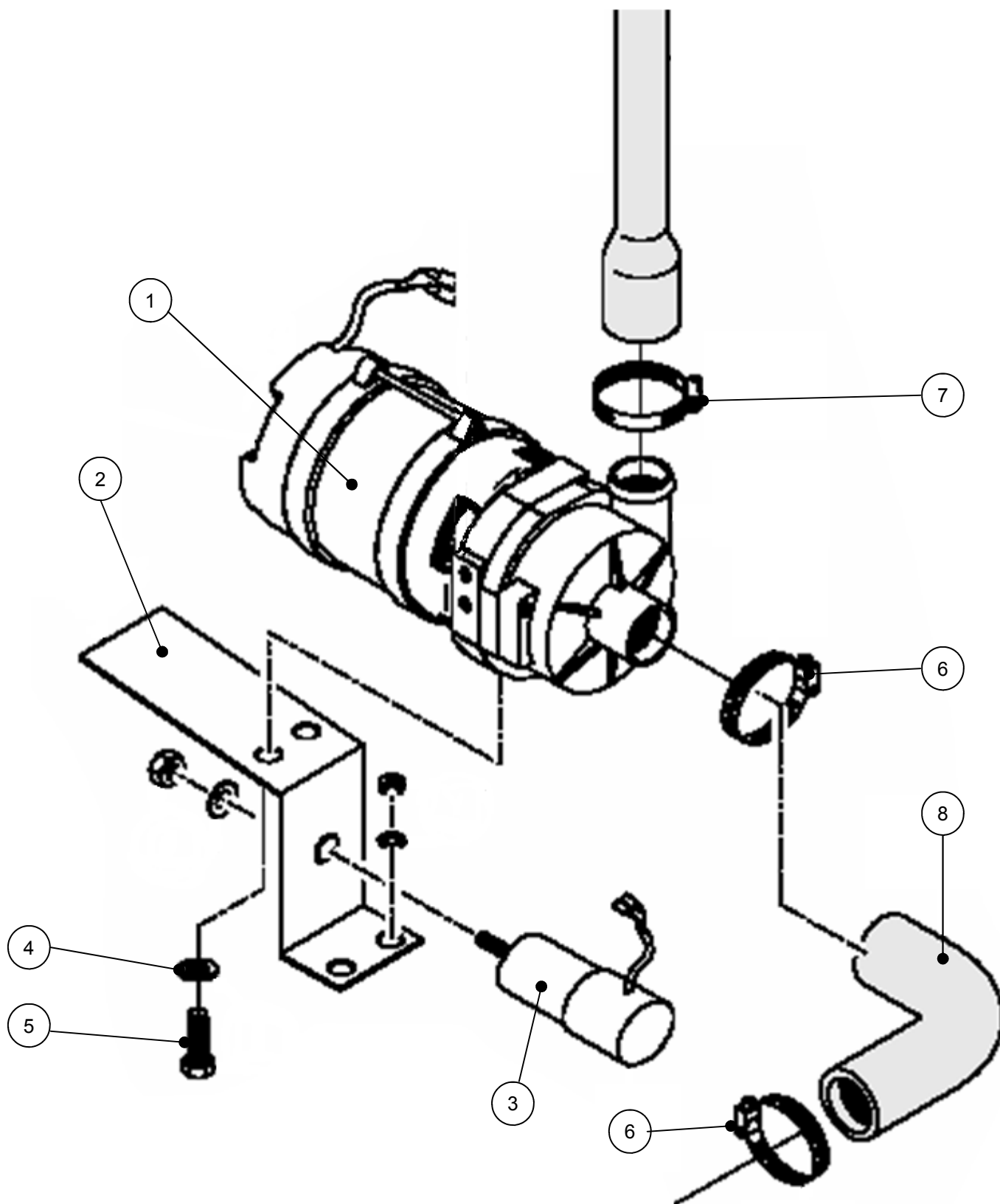


## Rinse pump assembly - Standard

Item	Description	Part no.	Qty	Note
1	Rinse pump - 0.27 kW (50Hz)	520.0002	1	Only fitted to 50Hz units
	Rinse pump - 0.27 kW (50Hz)	9.7.0/BX1		Only fitted to 60Hz units (USA)
2	Bracket - Pump 0.27 kW	160.0006	1	
3	Capacitor - 5 $\mu$ F	529.0001	1	
4	M5 Star washer	W014	2	
5	M5 x 8mm long - Hex screw	SC011	2	

**Rinse pump assembly - 12kW machine only**

Machine type	Assembly description	Assembly part no.
H957 - 12 kW	Rinse pump assembly - 0.27kW (50Hz)	052.2002



## Rinse pump assembly - 12kW machine only

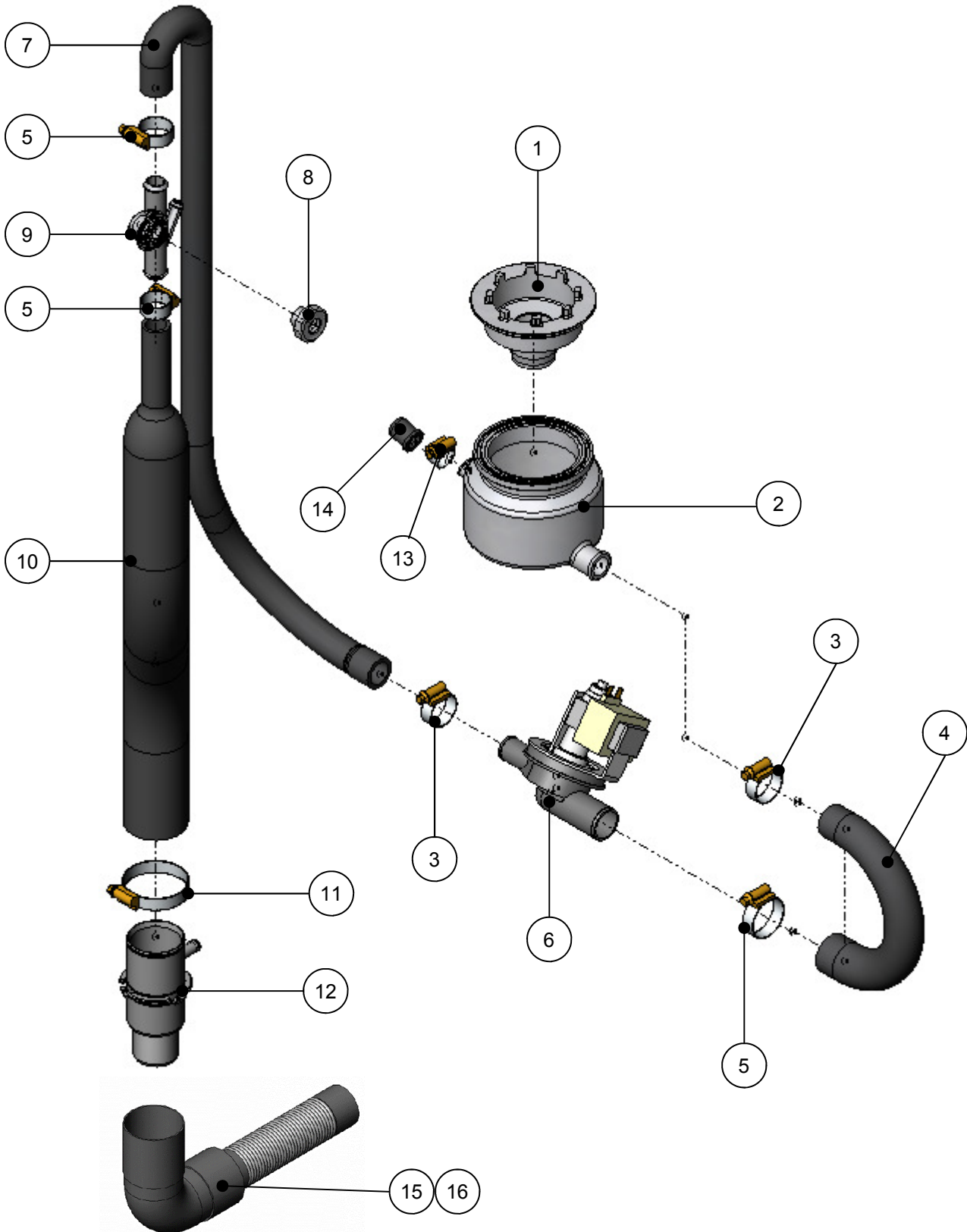
Item	Description	Part no.	Qty	Note
1	Rinse pump - 0.27 kW (50Hz)	520.0002	1	Only fitted to 50Hz units
	Rinse pump - 0.27 kW (50Hz)	9.7.0/BX1		Only fitted to 60Hz units (USA)
2	Bracket - Rinse pump	61005696	1	
3	Capacitor - 5 $\mu$ F	529.0001	1	
4	M5 Star washer	W014	2	
5	M5 x 8mm long - Hex screw	SC011	2	
6	O-ring seal - $\varnothing$ 25mm x $\varnothing$ 32mm	300.2532	2	
7	O-ring seal - $\varnothing$ 25mm x $\varnothing$ 40mm	300.2540	1	
8	Hose - Rinse pump inlet	61005703	1	

# Drain pump models only



## Drain pump kit

Machine type	Assembly description	Assembly part no.
All models	Drain pump kit	052.2402



# Drain pump models only

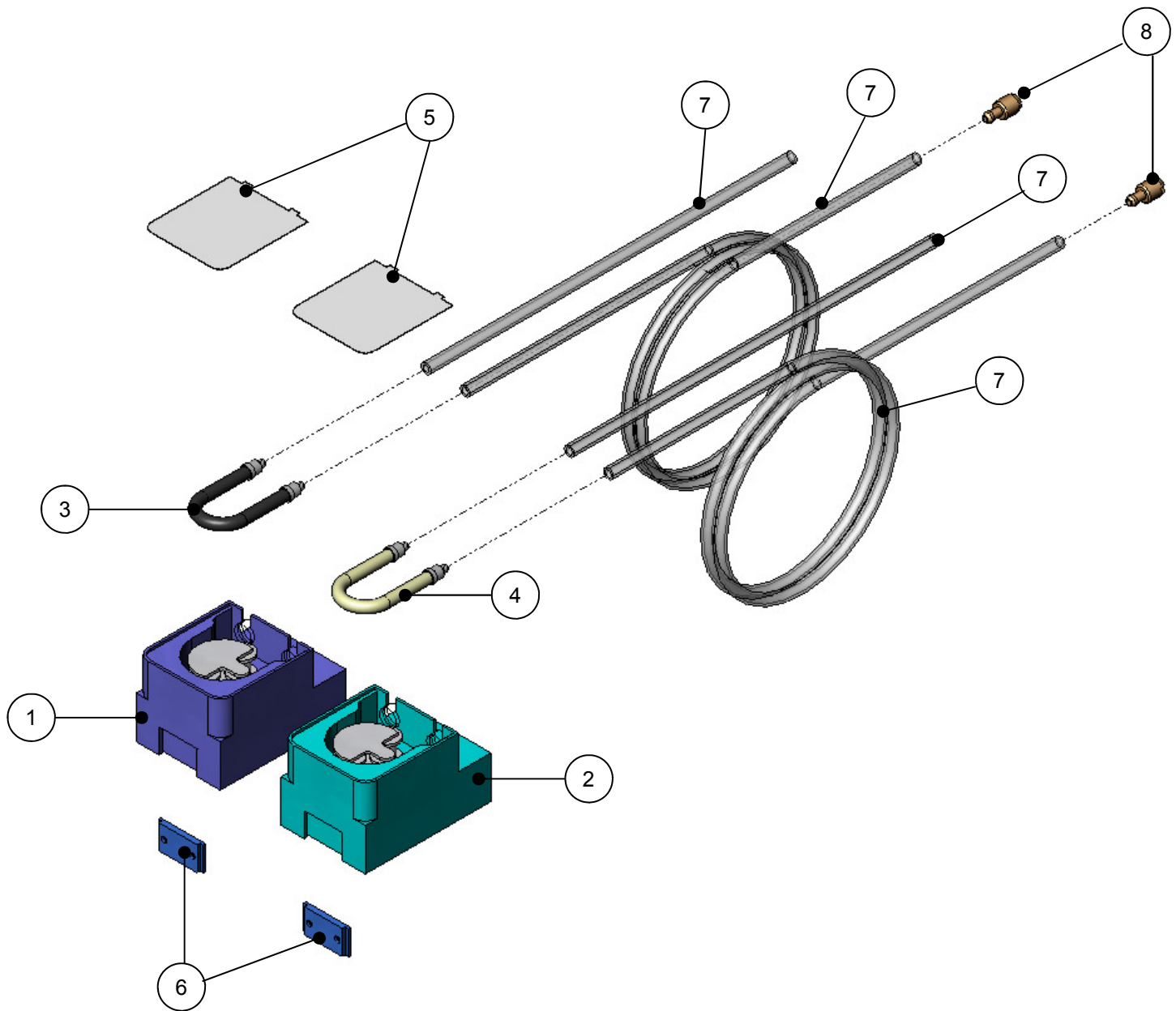


## Drain pump kit

Item	Description	Part no.	Qty	Note
1	Inner drain boss	61004905	1	
2	Drain bottle	61004698	1	
3	Jubilee clip - Ø25mm to Ø32mm	JCLIP020-032	2	
4	Hose - Drain pump inlet	407.0001	1	
5	Jubilee clip - Ø25mm to Ø40mm	JCLIP025-040	3	
6	Drain pump	DP2	1	
7	Hose - Drain ABT inlet	60004004	1	
8	Nut - Drain air brake	60003587	1	
9	Drain air brake	60003586	1	
10	Hose - Drain pump outlet	409.0001	1	
11	Jubilee clip - Ø40mm to Ø60mm	JCLIP040-060	1	
12	Drain boss	61006158	1	
13	Jubilee clip - Ø12mm to Ø22mm	JCLIP012-022	1	
14	End Cap	410.0002	1	
15	Waste hose	61006446	1	Located on outside of the machine
16	Jubilee clip - Ø30mm to Ø45mm	JCLIP-030-045	1	Located on outside of the machine

**Chemical Pumps**

Machine type	Assembly description	Assembly part no.
All models	Chemical Pump assembly	052.2602





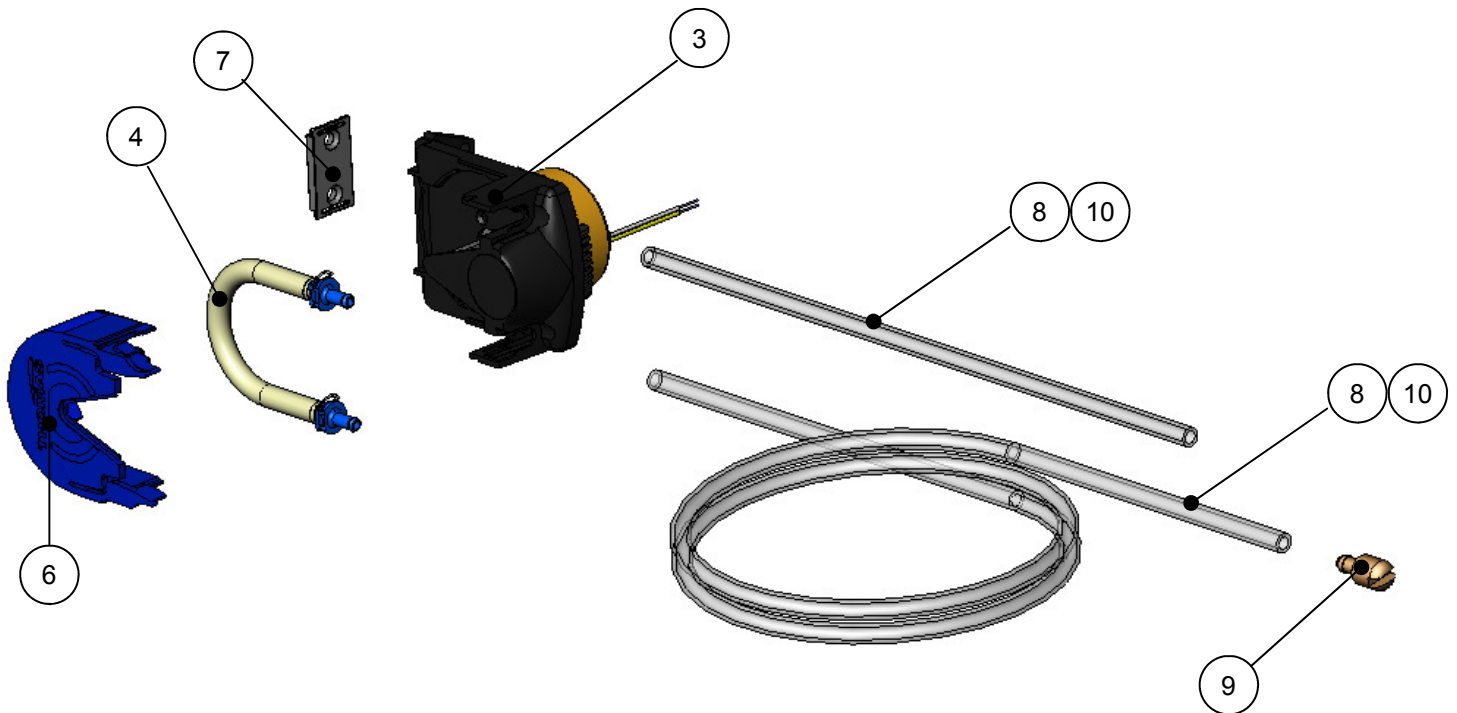
**Chemical Pumps**

Item	Description	Part no.	Qty	Note
1	Pump body - rinse aid	052.2615	1	
2	Pump body - detergent	052.2614	1	On machines with Detergent pump only
3	Peristaltic tube - rinse aid	052.2612	1	
4	Peristaltic tube - detergent	052.2613	1	On machines with Detergent pump only
5	Plastic pump cover	052.2615	2	
6	Pump mounting bracket	052.0006	2	
7	PVC tube	RT2	6M	
8	Bottle weight	7.7.21.4	2	
9	Cable tie	CT-06	4	Not shown

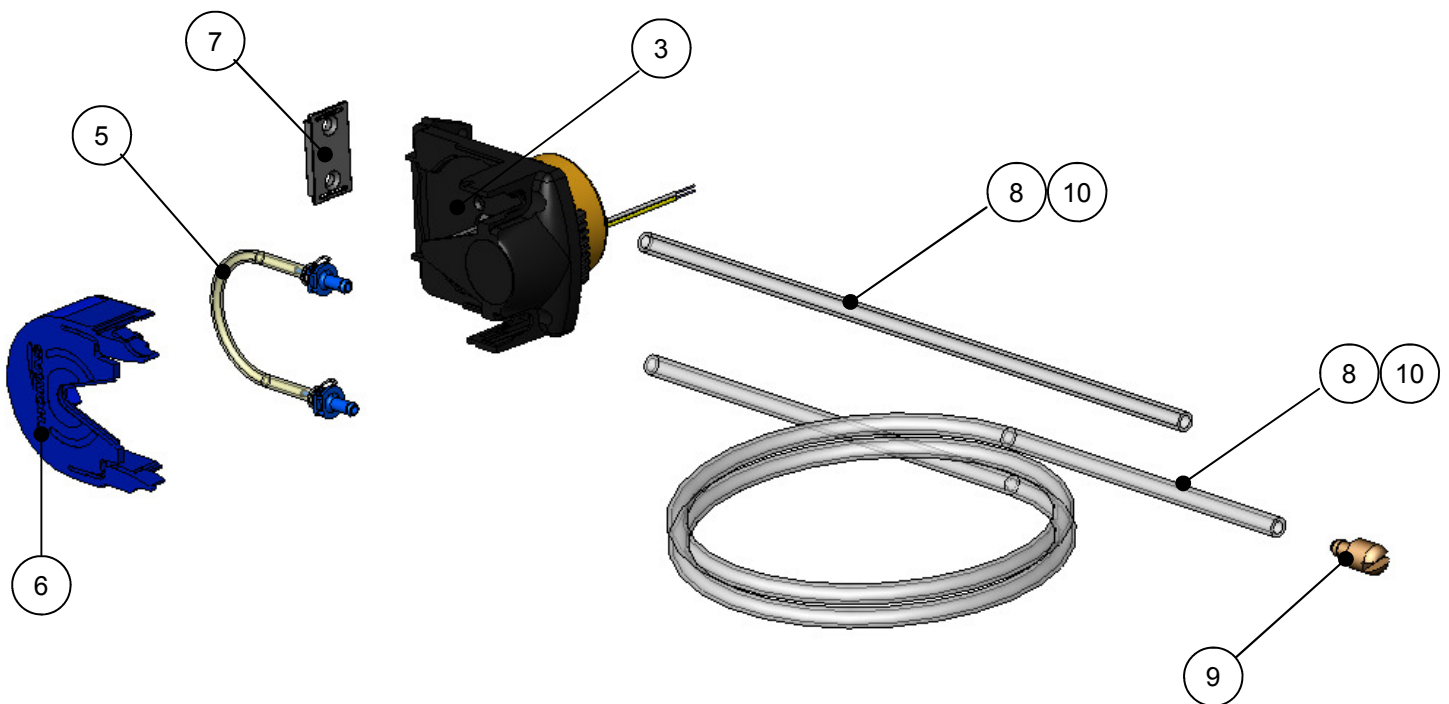
**Chemical pumps**

Machine type	Assembly description	Assembly part no.
All models	Detergent Pump Assembly	052.2622
All models	Rinse Aid Pump Assembly	052.2623

**1 DETERGENT PUMP**



**2 RINSE AID PUMP**





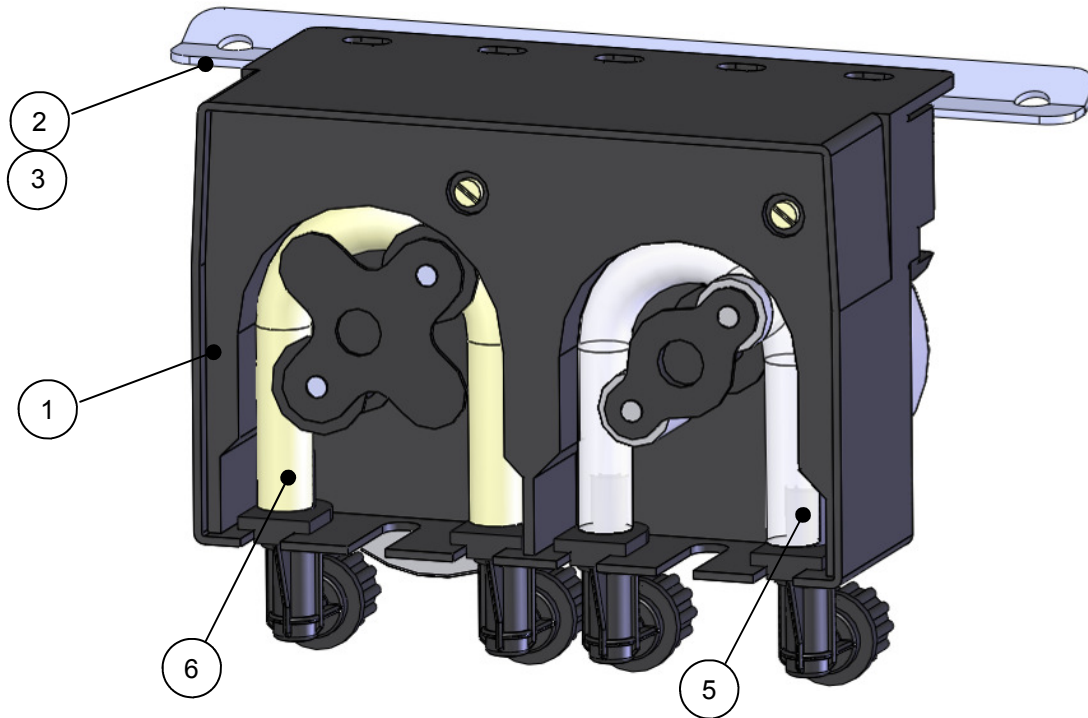


**Chemical pumps**

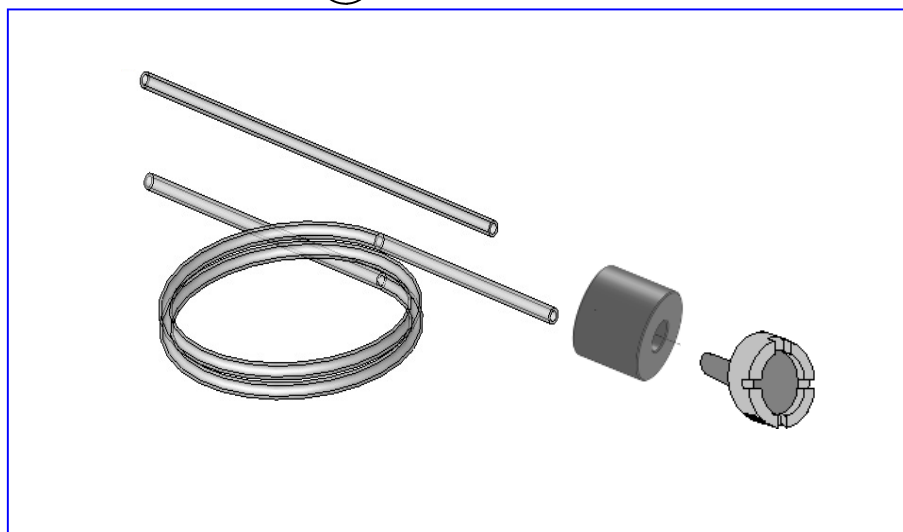
Item	Description	Part no.	Qty	Note
1	Detergent Pump	526.0008	1	Complete pump without pipes
2	Rinse Aid pump	526.0007	1	Complete pump without pipes
3	Pump body	052.2619	2	1 per pump
4	Peristaltic tube - Detergent	052.2621	1	
5	Peristaltic tube - Rinse Aid	052.2618	1	
6	Plastic pump cover	052.2617	2	1 per pump
7	Pump Mounting clip	056.2620	2	1 per pump
8	Chemical tube	RT2	4m	
9	Bottle Weights	7.7.21.4	2	
10	Cable Tie	CT-06	4	Not Shown

Machine type	Assembly description
All models	Double Pump Assembly

### DETERGENT / RINSE AID PUMP



### Bottle Weight Kit (4)



## Chemical pumps - Serial numbers after #####-0942

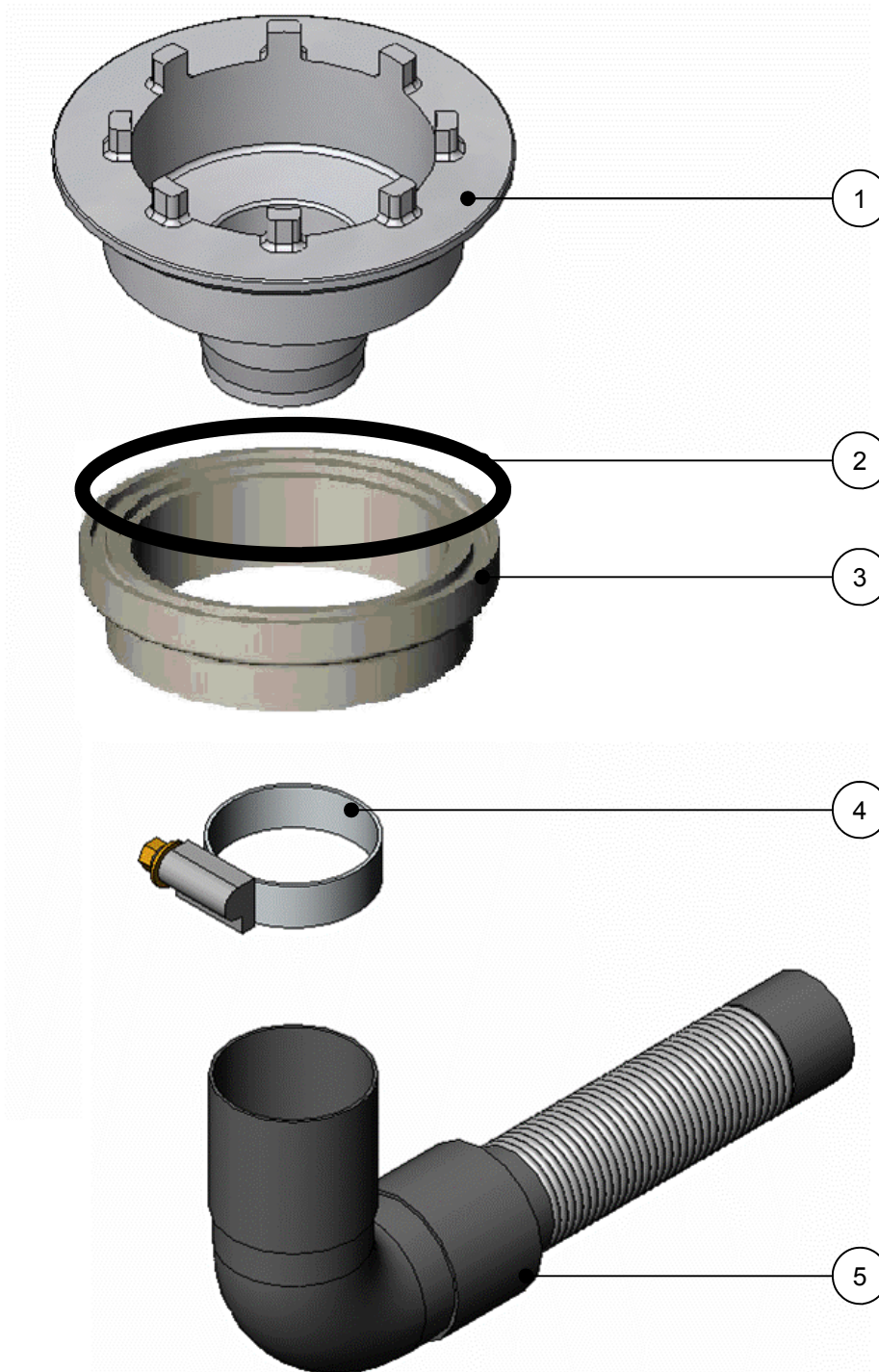
Item	Description	Part no.	Qty	Note
1	Detergent & Rinse Aid Combined Pump	526.0010	1	Complete pump without pipes
	Detergent pump only	526.0008		Alternative to double pump 526.0010
	Rinse aid pump only	526.0007		Alternative to double pump 526.0010
2	Chemical Pump Bracket	160.0011	1	
3	M5 Wing Nut	WNUT - 05	2	Not Shown
4	Bottle Weights - Rinse Aid	526.0013	1	Blue Tube
	Bottle Weights - Detergent	526.0012	1	Clear Tube
5	Spare Rinse Aid Tube	052.2632	1	Comes with R/A tube connector
6	Spare Detergent Tube	052.2631	1	Comes with R/A tube connector

# Gravity drain models only



## Gravity drain kit

Machine type	Assembly description	Assembly part no.
Gravity drain models only	Gravity drain kit	052.2406



## Gravity drain models only

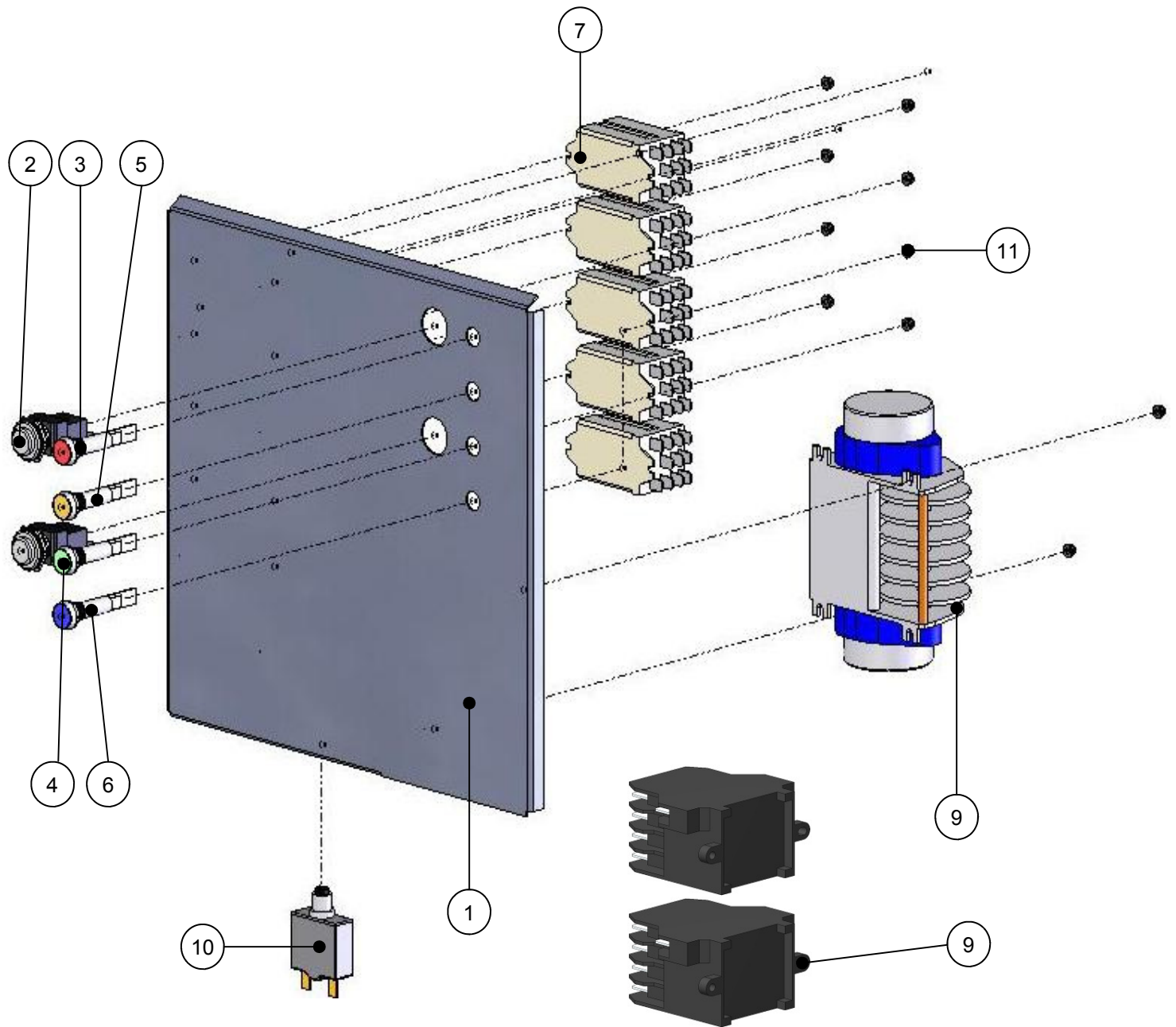


### Gravity drain kit

Item	Description	Part no.	Qty	Note
1	Inner drain boss	61004905	1	
2	Seal 80 x 102 x 2	2701007	1	
3	Nut - Drain boss	61004910	1	
4	Jubilee clip - Ø30mm to Ø45mm	JCLIP-030-045	1	
5	Waste hose	61006446	1	

## Component tray

Machine type	Assembly description	Assembly part no.
H857 & H957	Component tray assembly	014.00__
H857A & H957A	Component tray assembly	014.00__

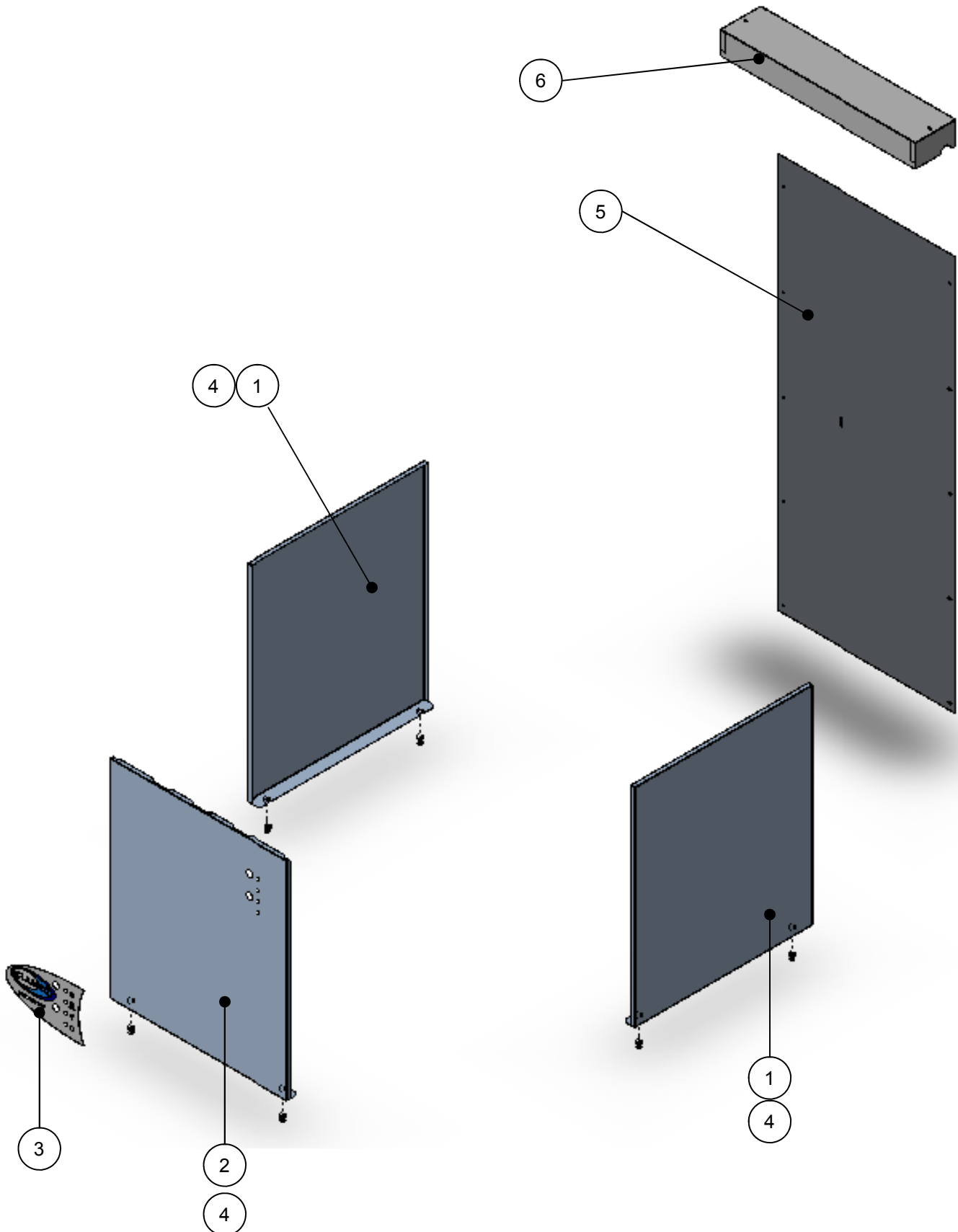


## Component tray

Item	Description	Part no.	Qty	Note
1	Control panel	140.0006	1	
2	Latching switch	500.0001	2	
3	Indicator lamp - Red	505.0001	1	
4	Indicator lamp - Green	505.0002	1	
5	Indicator lamp - Amber	505.0003	1	
6	Indicator lamp - Blue	505.0004	1	
7	Contactor - 3 pole change over	CONT 30	4	None air break models (PT), after serial number # # # # # - 0801
			5	Air break models (ABT), after serial number # # # # # - 0801
			6	Up to serial number # # # # # - 0752 and 12 kW Machine
8	Contactor - 4 pole	CONT/4	2	6kw & 8.66kW rinse elements
			3	12 kW rinse elements
9	Cycle timer - 1 ½ & 3 minute	560.6180	1	
10	Circuit breaker - 15 Amp	TCB-04	1	
11	M3 nut - Flange	FNUT-03	12	

## Panel kit

Machine type	Assembly description	Assembly part no.
All models	Panel kit	015.0012





## Panel kit

Item	Description	Part no.	Qty	Note
1	Side Panel	151.0003	2	
2	Front panel	153.0007	1	
3	Fascia Sticker Hydro 857		1	H857 - Gravity drain only
	Fascia Sticker Hydro 857 - Drain pump	940.0031		H857 - Drain pump only
	Fascia Sticker Hydro 957			H957 - Gravity drain only
	Fascia Sticker Hydro 957 - Drain pump	940.0033		H957 - Drain pump only
4	M5 x 12mm hex head screw	SC100	6	
5	Rear panel	150.0005	1	
6	Top Panel	154.0009	1	
7	Spider clips	7.2.41/1	10	Not Shown
8	Rear panel screws	SC102	10	Non Shown

## Packing kit

Machine type	Assembly description	Assembly part no.
All models	Packing kit	-

Item	Description	Part no.	Qty	Note
1	Bottle weight	7.7.21/4	2	
2	Grey rigid tube	7.7.21/4A	2	
3	Water supply hose	7.8.14	1	
	Water supply hose (WRAS approved)	7.8.14X		Air break machines only
4	Basket (glass) - 500mm <sup>2</sup>	700GBP	1	
5	Basket (dish) - 500mm <sup>2</sup>	700DRP	1	
6	Basket (cutlery) - 500mm <sup>2</sup>	CBP	1	
7	Manual - Operators & installation	902.0001	1	English version
8	Your essential pre-install check list	INS-07	1	English version
9	Good practice guide	INS-08	1	English version
10	Your final installation check list	INS-09	1	English version





Classeq is a trading name of  
Classic Glass & Dishwashing Systems Ltd.

Revision	Pages changed	Description	Date
F	30-31	Wash Pump Bracket changed, and 10uF capacitor changed to 8uF	28/07/2008
G	42 - 43	New chemical pumps added	04/01/2010

**Classic Glass & Dishwashing Systems Ltd**

Winterhalter House  
Roebuck Way  
Knowlhill  
Milton Keynes  
MK5 8WH



Spares department

0870 224 7286

Service department

0870 770 7250



0870 224 7287



[spares@classeq.co.uk](mailto:spares@classeq.co.uk)

[service@classeq.co.uk](mailto:service@classeq.co.uk)